

配布許可印



**Nikon** 35Ti FCA 22001  
QUARTZ DATE

**REPAIR MANUAL**

**修 理 指 針**

**Nikon** | **NIKON CORPORATION**  
Tokyo, Japan

© Copyright 1993  
ALL RIGHTS RESERVED  
無断転載を禁ず!!

Specifications

1. OUTLINE -----	M 1
2. REQUIRED TIME FOR FILM ADVANCE/REWIND OPERATION -----	M 1
3. WARNING MESSAGE DISPLAY -----	M 2
4. OPERATION IN SB MODES -----	M 2
5. ACTUAL DISTANCE RANGE OF DISTANCE INDICATORS -----	M 3
6. DATA IMPRINTING SEQUENCE -----	M 3
AE program chart -----	M 4
AE range chart -----	M 5
7. PROCEDURES FOR MANUAL TEST -----	M 6

## SPECIFICATIONS

## 1. OUTLINE

- (1) Shooting distance range : 0.4m to infinity  
 (2) Light Measuring Sensor : SPD with a 6-area metering system  
 (3) Exposure control range : EV2 to 17 at ISO 100  
 (4) EV level for auto flash : EV9 or lower (at  $ISO \leq 200$ )  
 operation  
 (5) Guide Number of flash : 9 (ISO 100, in meter)  
 (6) AF control pulse : 833 pulses  
 (7) Base length : 30mm  
 (8) Metering range : BV -3 TO 12  
 (9) Time exposure limit : Max. 10 min.  
 (10) Illuminators for viewfinder and analogue display
- ① In Auto mode : Only the LED illuminator for the viewfinder information lights up automatically when ambient light reaches BV 2.0 or lower.
- ② In Manual mode : By switching on the S3 button (Self-timer/illuminator button), two illuminators light up according to ambient light conditions as in the following table.

	Viewfinder	Analog Displa
$2 < BV$	Lights up with high output	Does not light up
$0 < BV \leq 2$	Lights up with low output	Does not light up
$BV \leq 0$	Lights up with low output	Lights up

## 2. REQUIRED TIME FOR FILM ADVANCE/REWIND OPERATION

OPERATION	TIME
Malfunction of auto film loading	Malfunction of film loading occurs when PI pulse (FFS) is not generated in 5sec.
Film winding	180 edges per frame
SAuto film rewinding	The automatic film rewinding starts when: ① Winding by one edge is not completed within 2 seconds, or ② The camera winds for 0.5 sec. after the 37th frame has been taken.
Auto film rewind stops	By a rewinding timer: At MANUAL rewind ---- 8 sec./edge At MANUAL rewind ---- 8 sec./edge
Manual rewinding	By turning on the manual rewinding switch
Fork becomes free after the completion of film rewind	Film rewind motor turns normally for 0.5 sec. after the completion of film rewind operation.

## 3. WARNING MESSAGE DISPLAY

ITEMS	MESSAGE
No film loaded	"E" mark turns on after blinking 6 sec. (2Hz)
Auto loading error	"E" mark turns on after blinking 6 sec. (2Hz)
Lens barrel stops abnormally	If no pulse is generated for 1 sec. during lens barrel movement, all viewfinder and data back LCD blink. (2Hz)
Out of minimum focusing distance	The AF mark in the viewfinder LCD blinks. (2Hz) The analogue pointer stops in the red area.
Weak battery power	The warning mark blinks (2Hz)
Out of AE metering range	For over-exposure, "H" in viewfinder LCD blinks. (2Hz) For under-exposure, "L" blinks. (2Hz)
Flash not fully charged	While keeping the release button pressed halfway, the arrow mark blinks. (4Hz)

## 4. OPERATION IN SB MODES

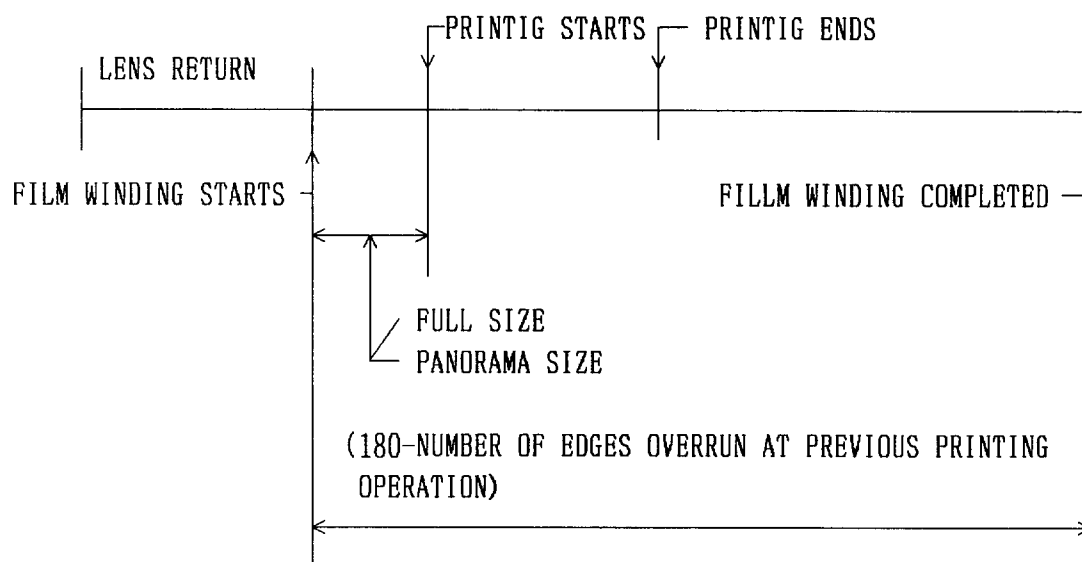
MODE	FUNCTION	CANCEL TIME
Auto Flash (AUTO)	Flash mode is automatically selected when LV is lower than 10.	1/30 sec.
Flash cancellation	No flash fires regardless of subject brightness.	2 sec.
Anytime flash (including Slow Sync Flash)	Flash always fires regardless of subject brightness. Controlling -1 EV in daylight sync mode.	1/30 sec. 1/4 sec.
Red eye reduction	Red eye reduction lamp lights up when BV is lower than 4.5.	

\*\* Recharging stops when a predetermined voltage cannot be obtained within 20 sec. (NL1 -> on)

5. ACTUAL DISTANCE RANGE OF DISTANCE INDICATORS

Analogue Indicator	M/F distance	Distance Range	Analogue Indicator	M/F distance	Distance Range
Triangle	4 5 (m)	Infinity	.	1.5	1.3 5 ~ 1.7
.	1 1	8 ~	1	1	0.9 5 ~ 1.3 5
5	5	4.6 ~ 8.0	.	0.8 5	0.7 7 ~ 0.9 5
.	4	3.3 ~ 4.6	0.7	0.7	0.6 3 ~ 0.7 7
3	3	2.8 ~ 3.3	.	0.5 5	0.5 ~ 0.6 3
.	2.5	2.2 ~ 2.8	0.4	0.4	0.3 9 ~ 0.5
2	2	1.7 ~ 2.2	□	0.4	0.3 5 ~ 0.3 9

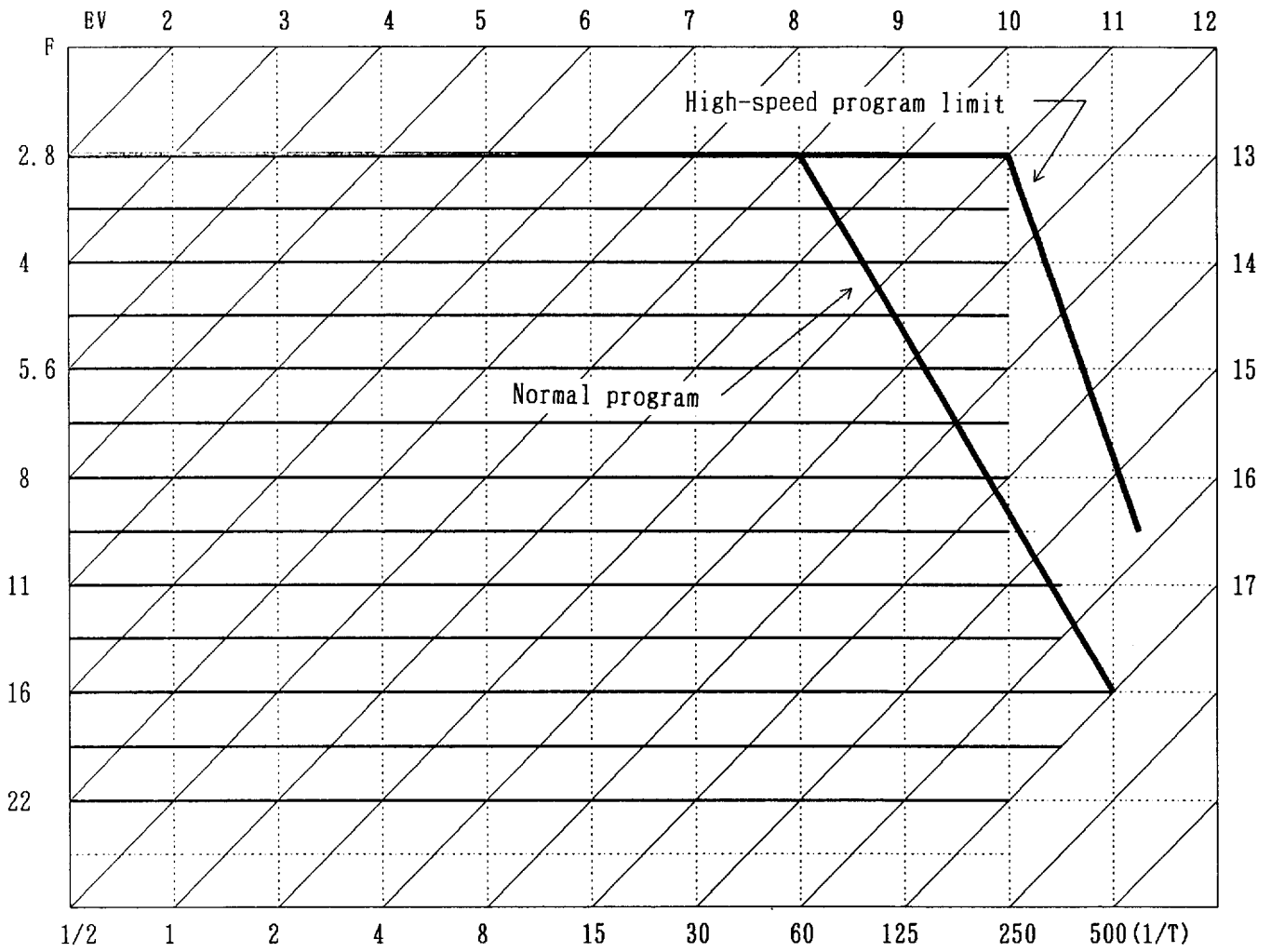
6. DATA IMPRINTING SEQUENCE



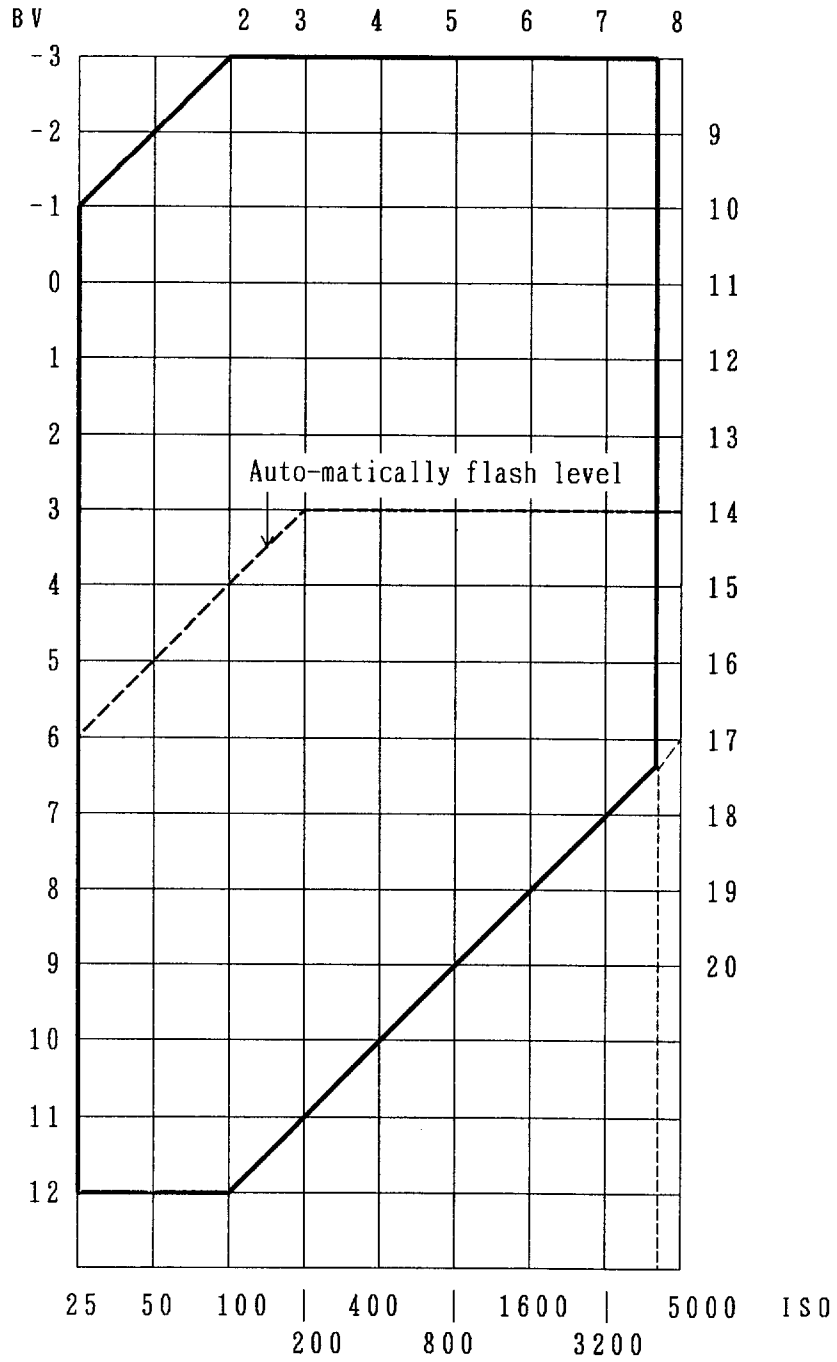
PRINTING TIME

ISO	TIME	ISO	TIME
$25 \leq \text{ISO} \leq 50$	$160 \mu \text{S}$	$250 \leq \text{ISO} \leq 320$	$80 \mu \text{S}$
$64 \leq \text{ISO} \leq 100$	$160 \mu \text{S}$	$400 \leq \text{ISO} \leq 800$	$40 \mu \text{S}$
$125 \leq \text{ISO} \leq 200$	$80 \mu \text{S}$	$1000 \leq \text{ISO}$	$20 \mu \text{S}$

AE program chart



AE range chart



7. PROCEDURES FOR MANUAL TEST

(1) SELECTOR MODE

- [ 0 0 \*\* ] Film counter number is displayed in \*\*.
- [ 1 0 \*\* ] Film speed as in the following table (Data value) is displayed in \*\*.
- [ 2 \* \*\* ] EV is displayed in \*\*\*. (EV = Displayed data/12)
- [ 3 \*\* \*\* ] Metered distance data by AF IC is displayed in \*\*\*\*.

(Data in the table below are only for reference purposes.)

ISO	Display data	ISO	Display data	測距値 (m)	Display data (pulse)
Non DX	0	4 0 0	1 8	0. 4	7 4 9
2 5	6	5 0 0	1 9	1. 0	4 0 1
3 2	7	6 4 0	2 0	1. 5	3 2 7
4 0	8	8 0 0	2 1	2. 0	2 9 1
5 0	9	1 0 0 0	2 2	2. 5	2 6 9
6 4	1 0	1 2 5 0	2 3	3. 0	2 5 5
8 0	1 1	1 6 0 0	2 4	3. 5	2 4 5
1 0 0	1 2	2 0 0 0	2 5	4. 0	2 3 7
1 2 5	1 3	2 5 0 0	2 6	4. 5	2 3 1
1 6 0	1 4	3 2 0 0	2 7	5. 0	2 2 7
2 0 0	1 5	4 0 0 0	2 8	∞ (45.0)	1 8 9
2 5 0	1 6	5 0 0 0	2 9		
3 2 0	1 7				



(2) HOW TO ENTER THE MANUAL MODE

Confirm that Power is off



Turn the selector dial to "P" position, while keeping the SET button pressed.



Confirm that the display shows (00 0 00) with the two on left side blinking.



Keep pressing AF button without operating any other switches.



Confirm that the display shows (00 0 00) with no segments blinking.



Move the lens barrel by pressing several times MODE or SET button, and confirm the display (00 0 00).



select a number of desired mode by pressing SET button.

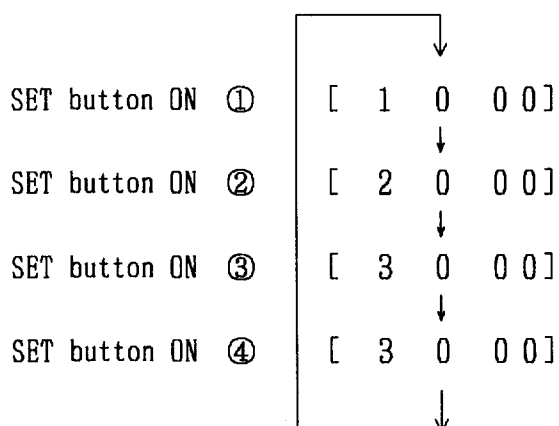


The data will be displayed by pressing the release button halfway.

NOTE:

The selector mode number (00 0 00) can be obtained generally only after the lens barrel movement operation is done. However, it is also possible to have this (00 0 00) mode by pressing the release button halfway when you reach (3 0 00) in the loop of modes. Please refer to the diagram below.

Confirm that the display shows after  
the lens barrel movement operation [ 0 0 0 0 ]



(3) HOW TO CANCEL MANUAL TEST MODE

To cancel manual test mode, turn the selector dial to "OFF" position.

## DISASSEMBLING

## 1. Disassembling to rear body and lens barrel unit

Bottom cover	-----	D 1
Leatherette	-----	D 1
Top cover	-----	D 2
Mode set unit, camera back	-----	D 2
Side cover, discharging of the main condenser	-----	D 3
Front cover	-----	D 3
Viewfinder group, LCD unit	-----	D 4
Main FPC	-----	D 5
Camera back lock releases	-----	D 6
Flash base plate unit	-----	D 7
Removing lens barrel unit	-----	D 7

## 2. Rear body

W/R motor group, W/R gear group	-----	D 8
Panorama lever group	-----	D 9
Date module unit, panorama unit	-----	D 9

## 3. Lens helicoid

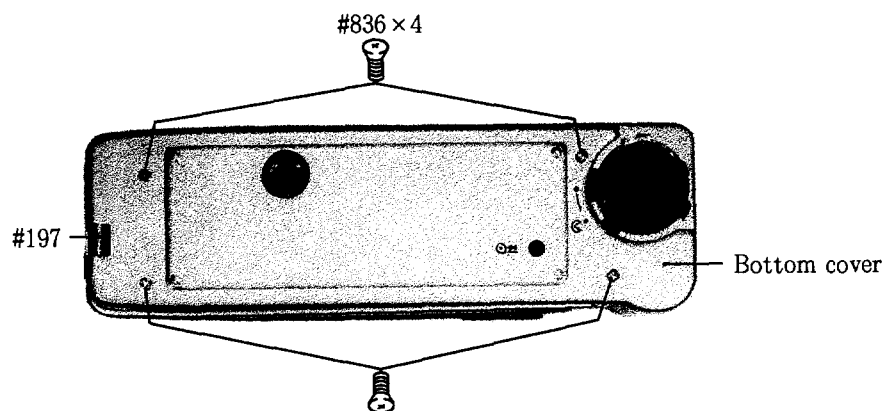
AF unit	-----	D 1 0
Lens cover unit, joint gear group	-----	D 1 0
Helicoid gear unit	-----	D 1 1
Lens barrel group	-----	D 1 1
Name ring	-----	D 1 2
Shutter unit, front lens, rear lens, helicoid	-----	D 1 2

## DISASSEMBLING

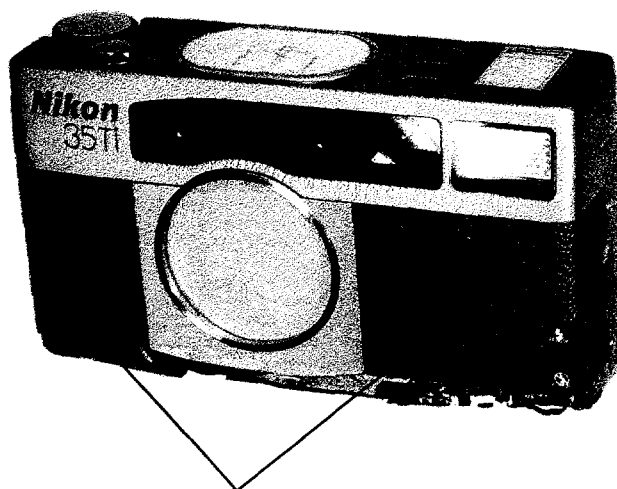
- Note :**
- ① Remove batteries before disassembling.
  - ② When disassembling, pay attention to the wire arrangement and mounting positions and types of screws to be removed.
  - ③ Be sure you are grounded when holding main FPC because static electricity exerts serious adverse effects on ICs.
  - ④ The tone of pictures may be different from actual one. Make sure of the shape of parts when disassembling and reassembling.
  - ⑤ When removing gears, make sure to distinguish the front and back sides.

### 1 . DISASSEMBLING TO REAR BODY AND LENS BARREL UNIT

#### BOTTOM COVER

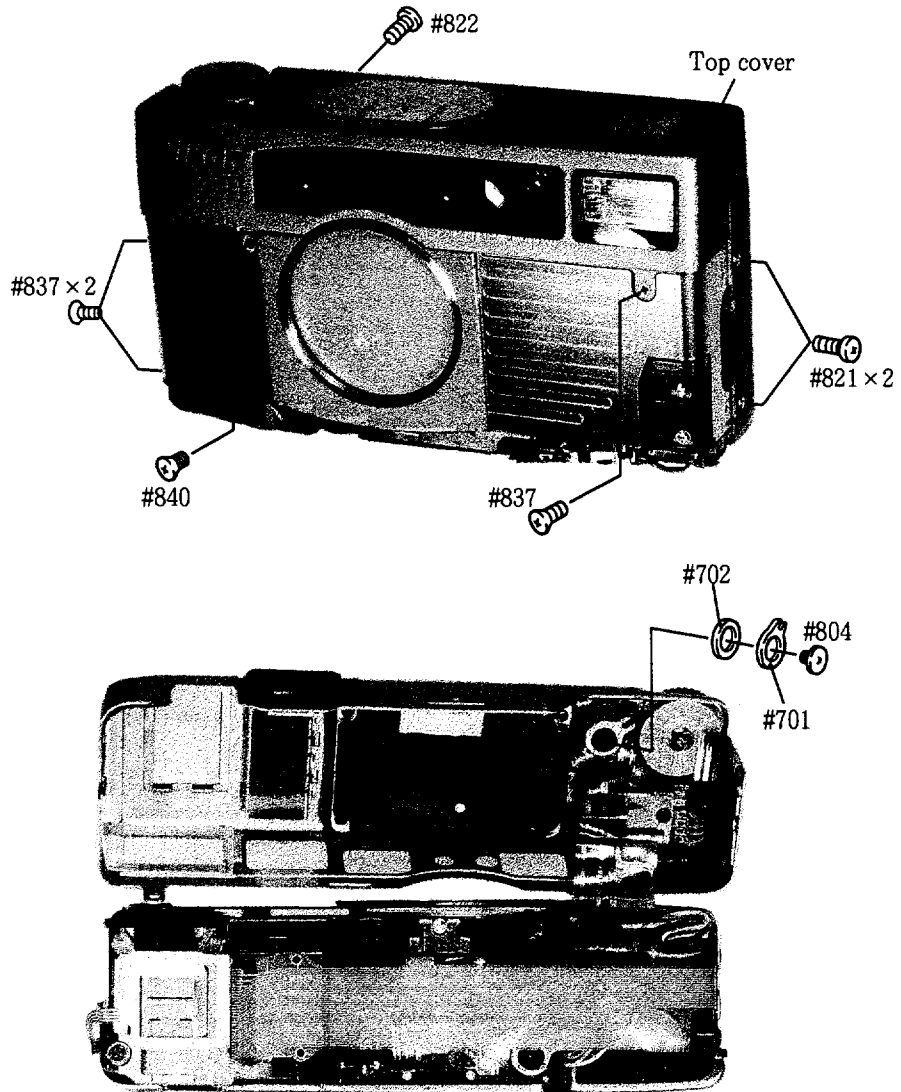


#### LEATHERETTE

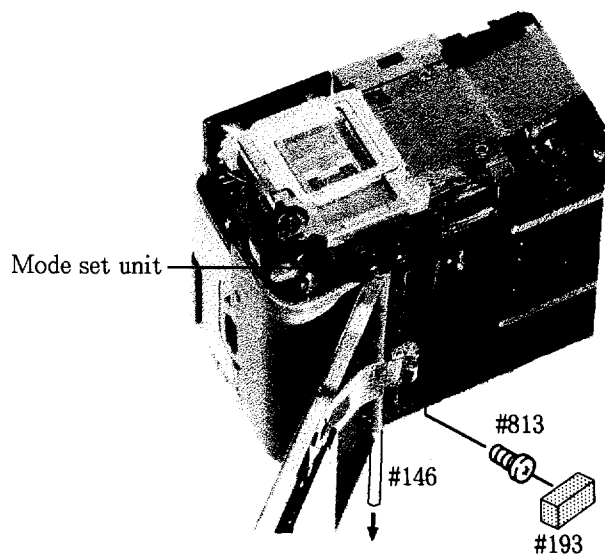


Peeling off leatherette from front cover.

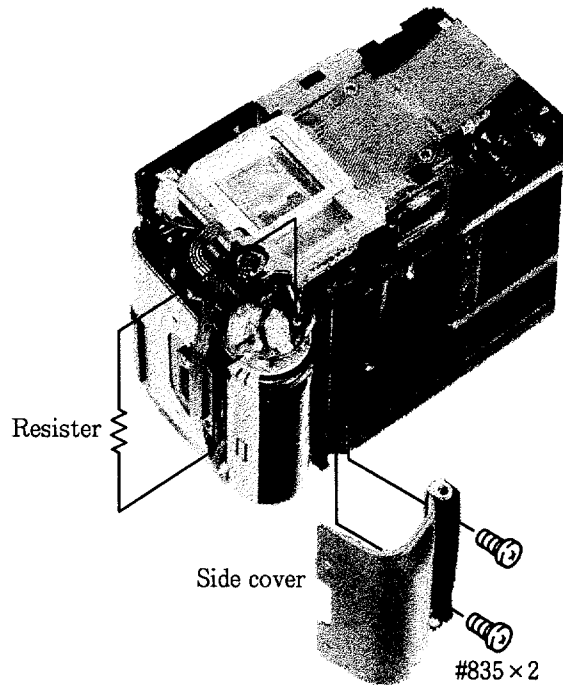
TOP COVER



MODE SET UNIT, CAMERA BACK

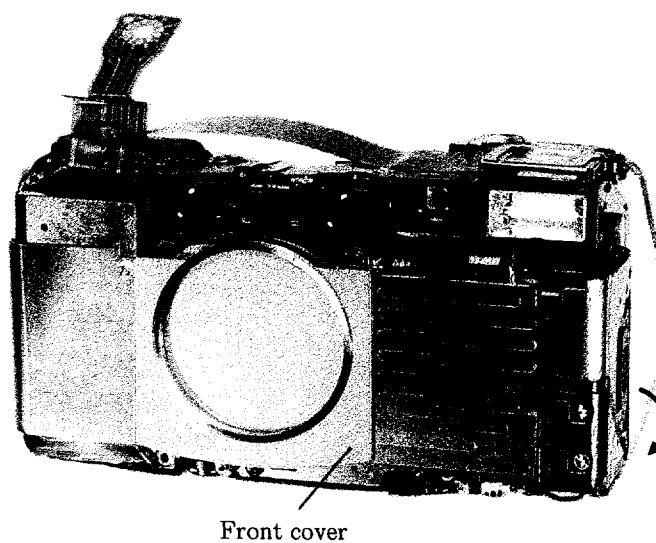


SIDE COVER, DISCHARGING OF THE MAIN CONDENSER

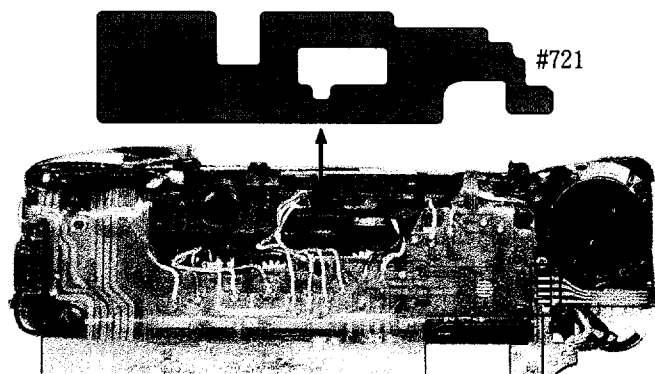
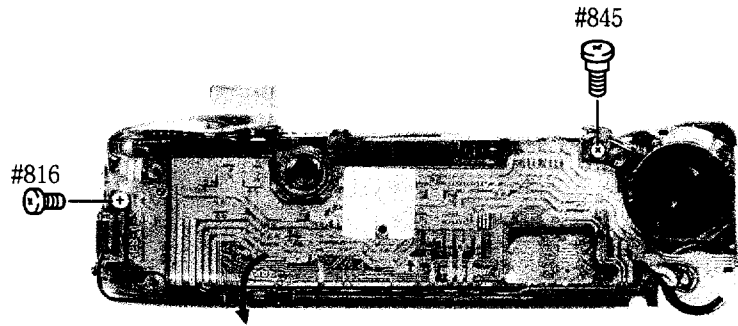


- Discharge the main condenser it the both sides.
- Use  $2K\Omega/5W$ resister to discharged.

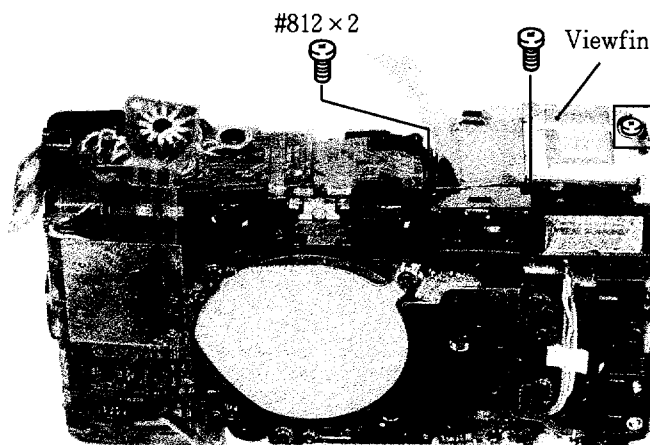
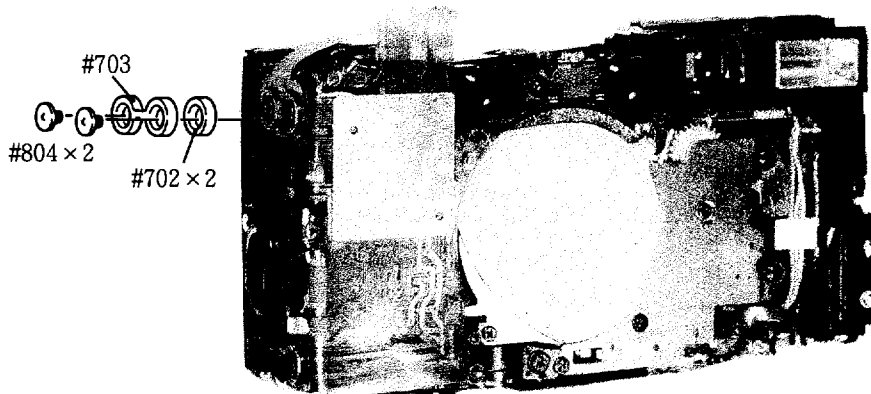
FRONT COVER



VIEWFINDER GROUP, LCD UNIT

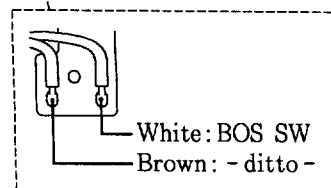
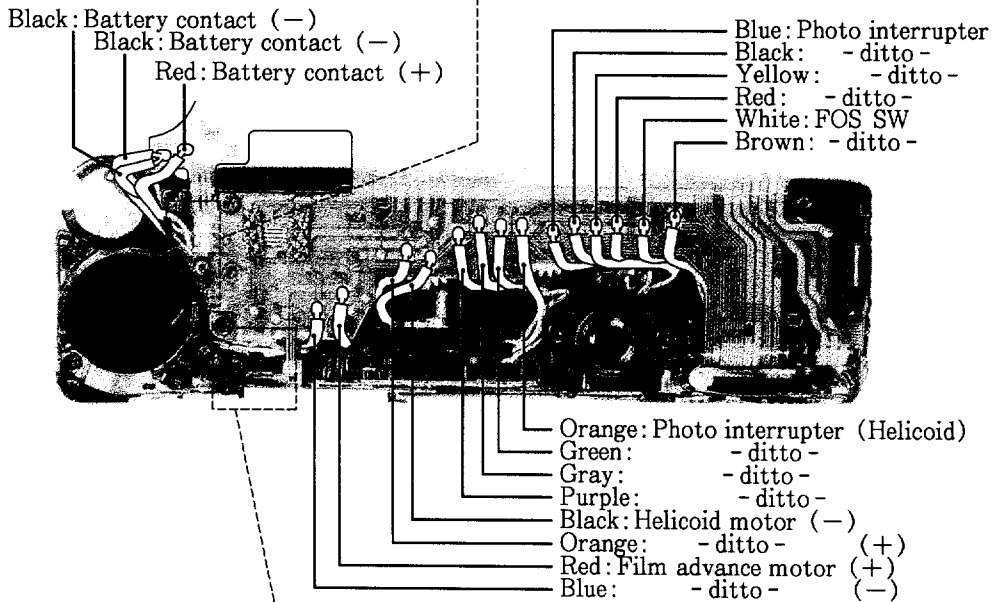
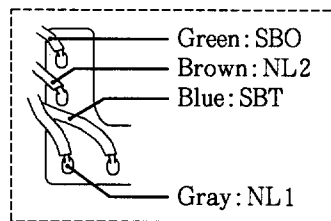
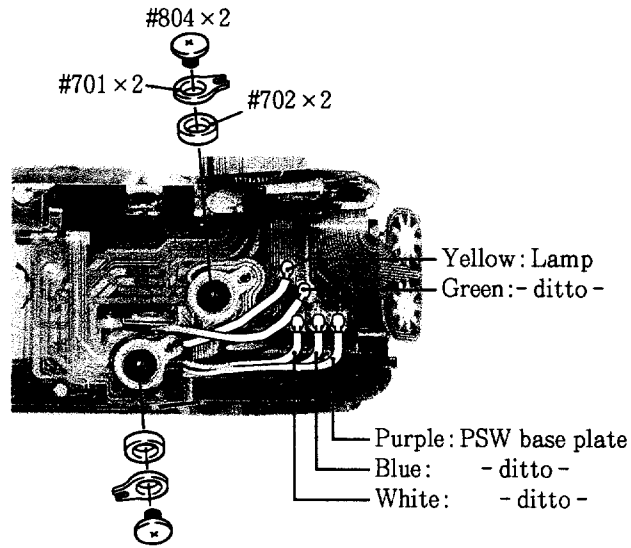


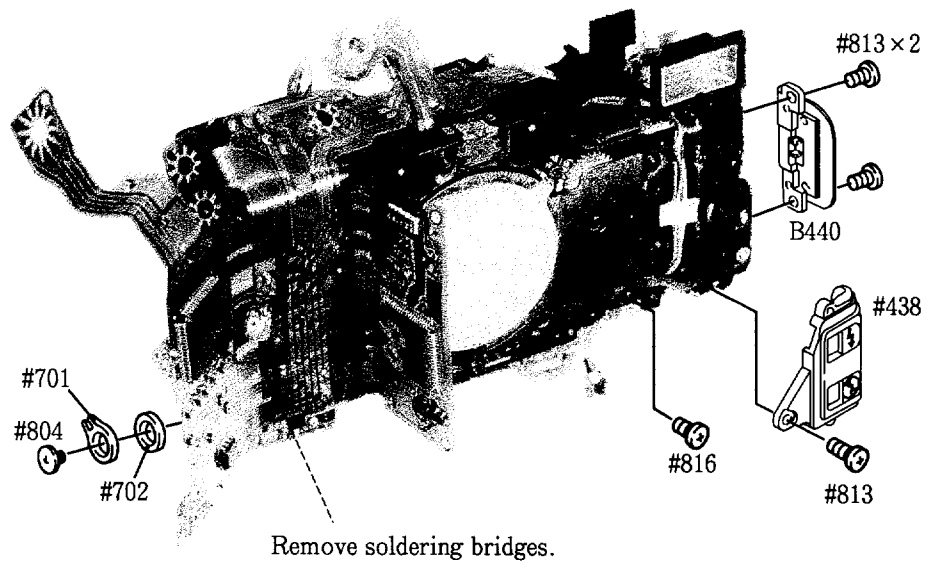
Remove soldering bridges.



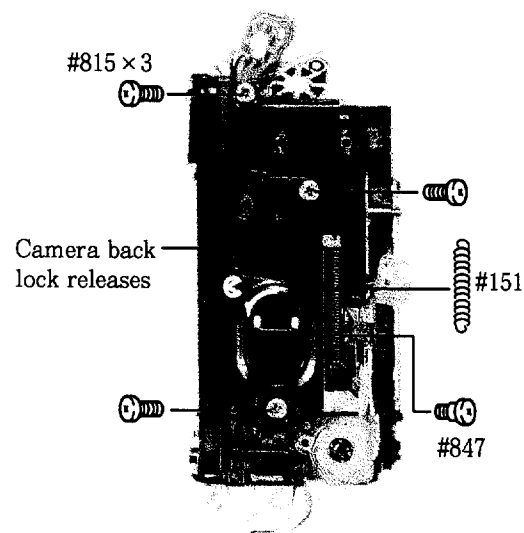
Never remove this screw except for replacement of part. Removal of this screw will require readjustment.

MAIN FPC



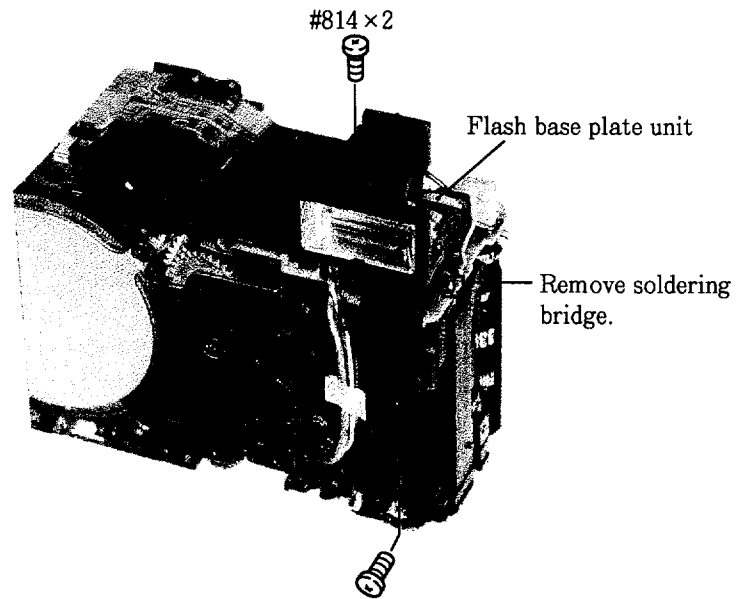


CAMERA BACK LOCK RELEASES

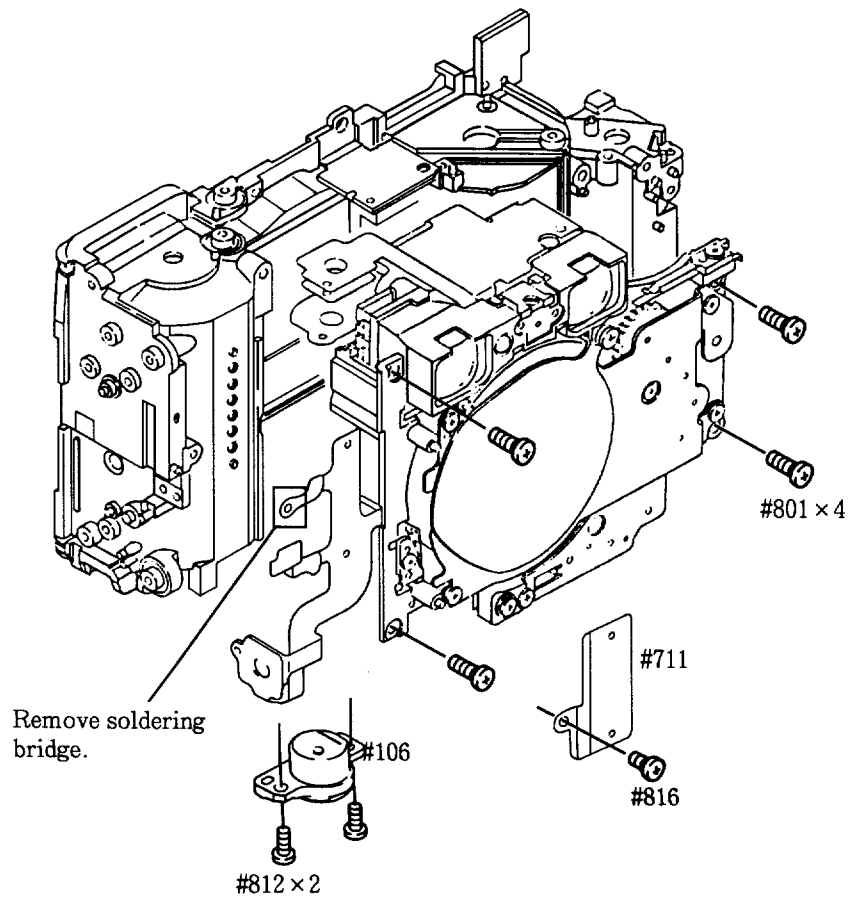




FLASH BASE PLATE UNIT

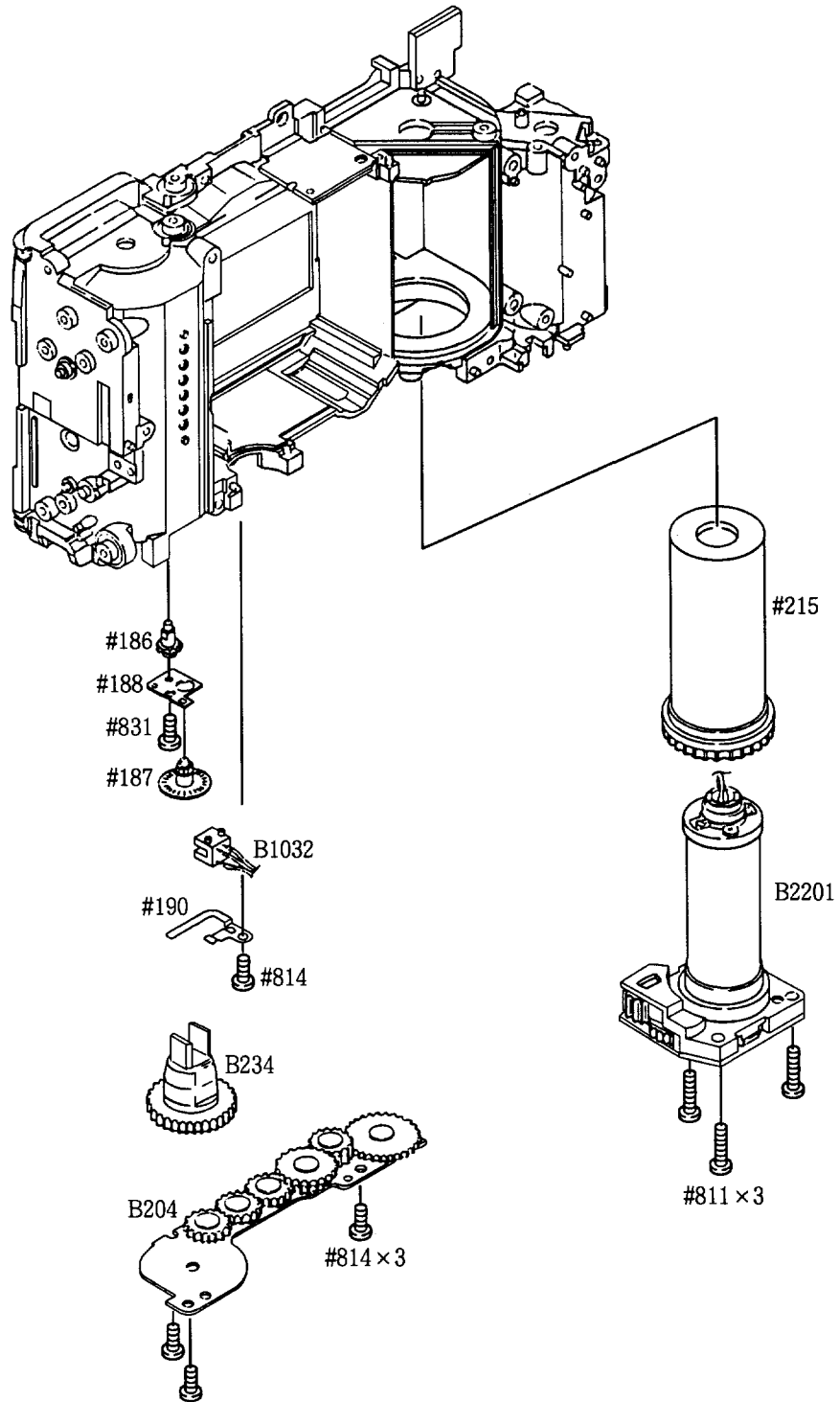


REMOVING LENS BARREL UNIT

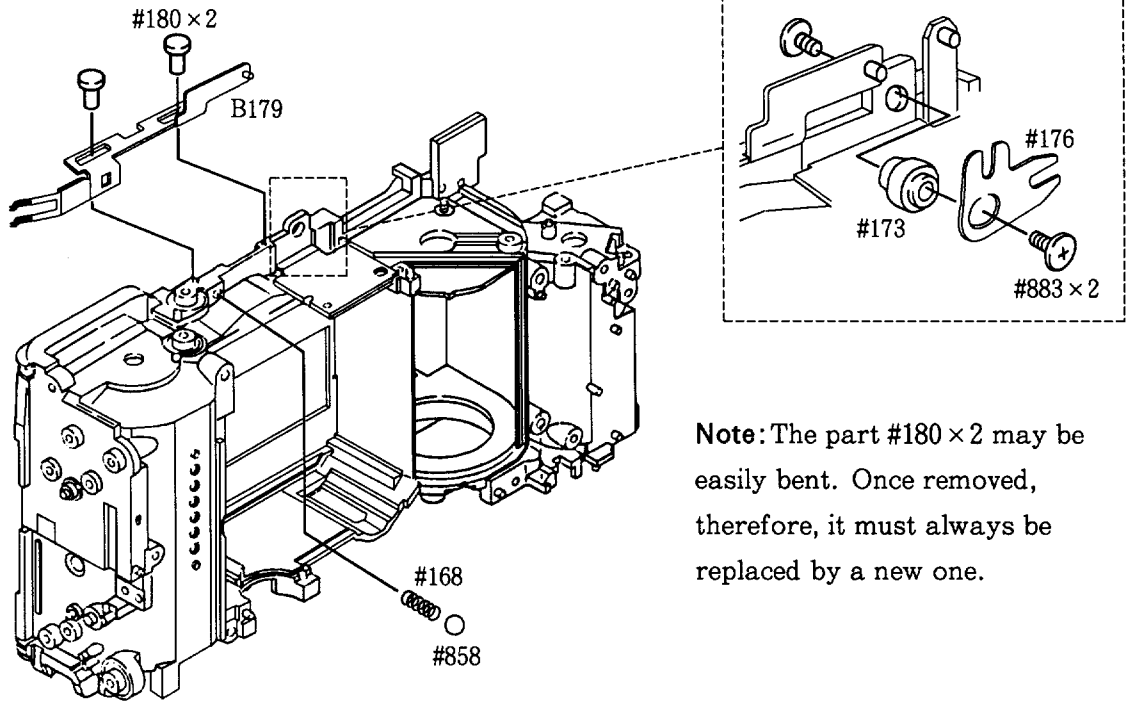


## 2. REAR BODY

W/R MOTOR GROUP, W/R GEAR GROUP

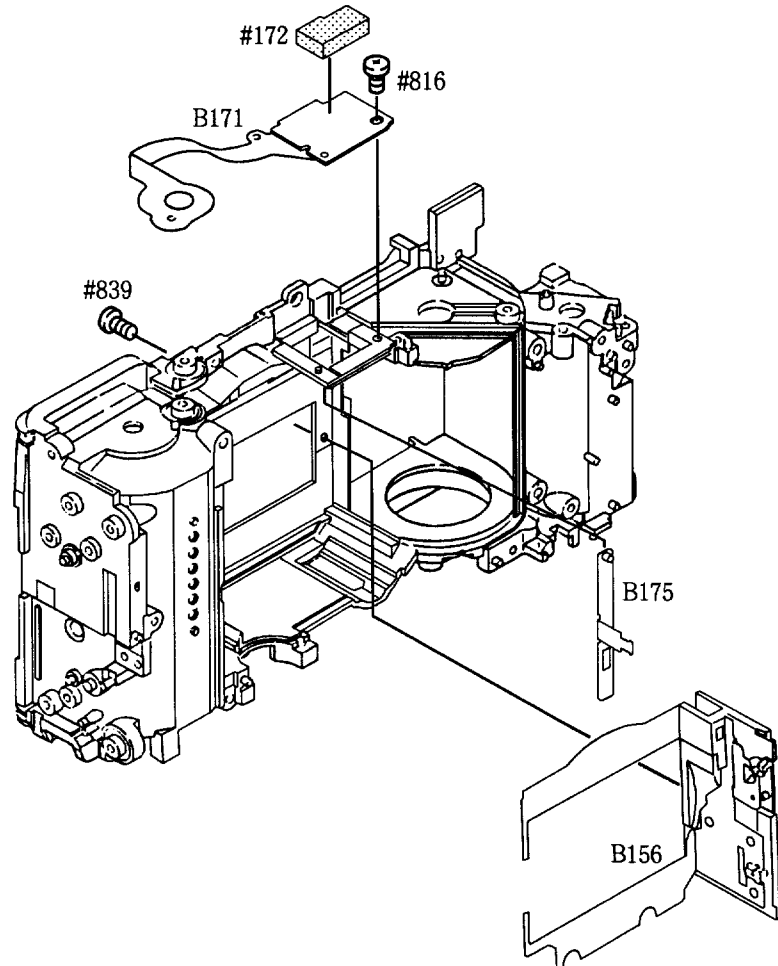


PANORAMA LEVER GROUP



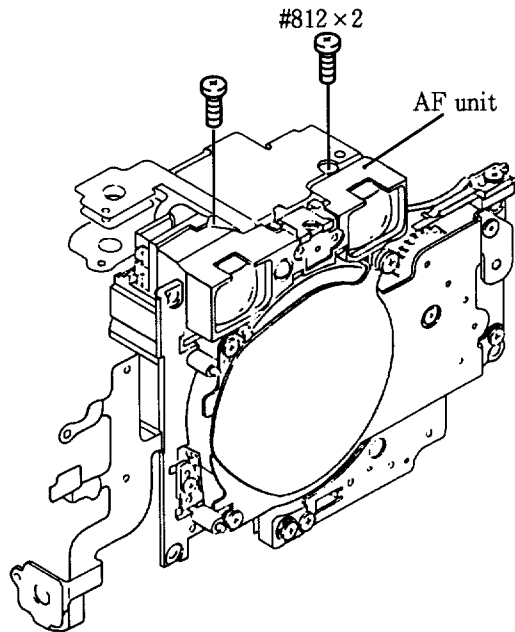
**Note:** The part #180 × 2 may be easily bent. Once removed, therefore, it must always be replaced by a new one.

DATE MODULE UNIT, PANORAMA UNIT

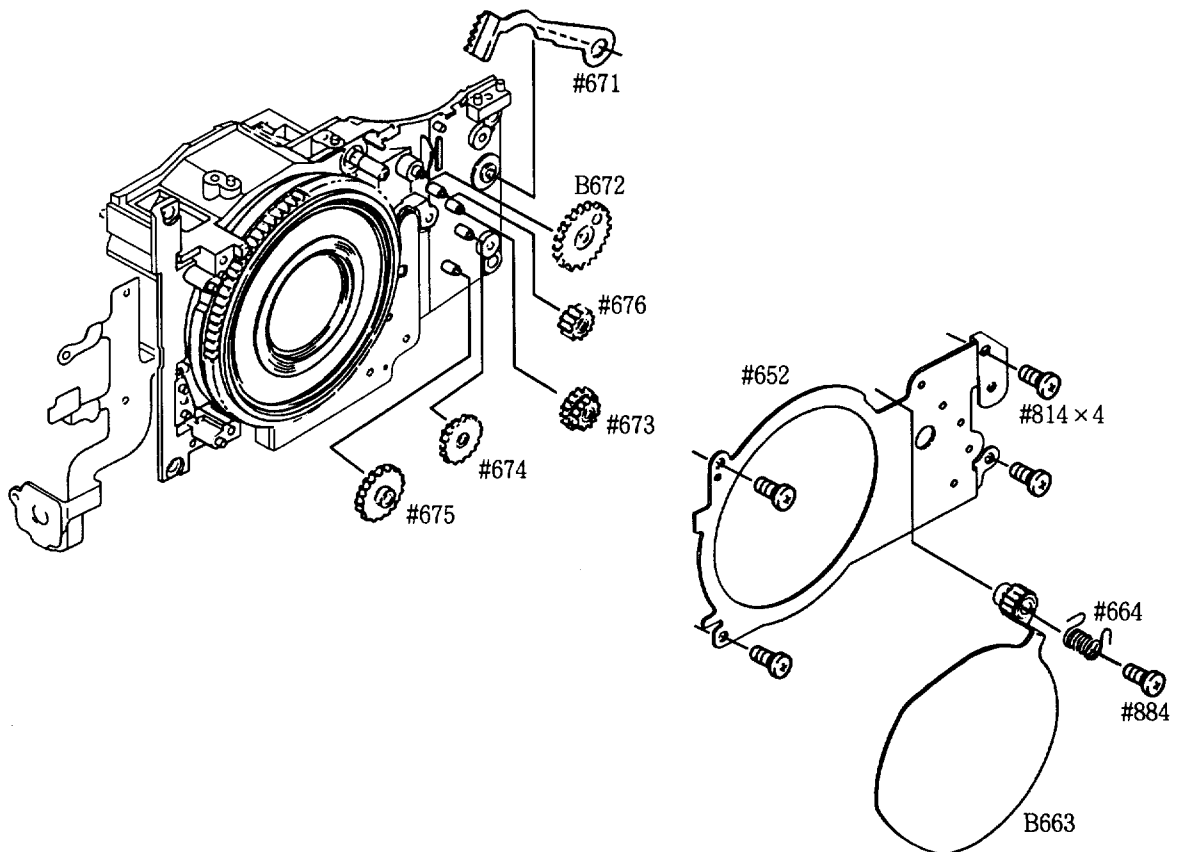


### 3. LENS HELICOID

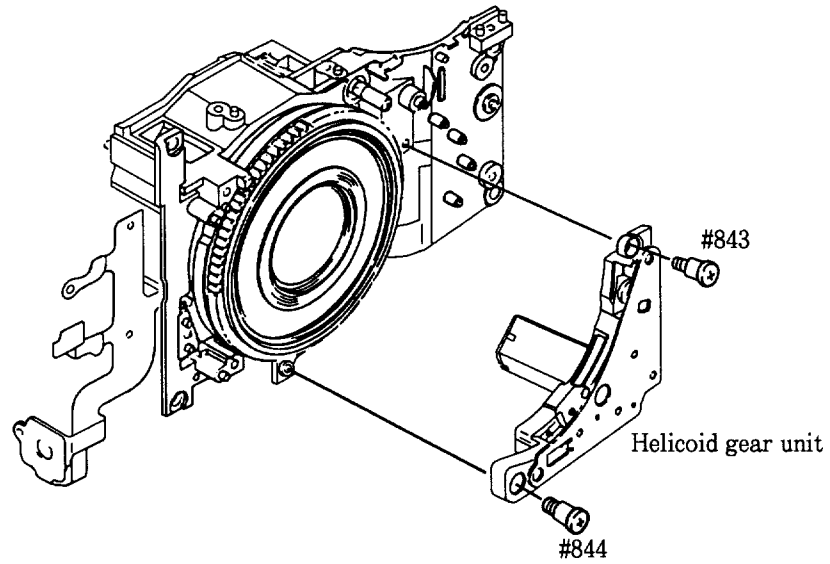
AF UNIT



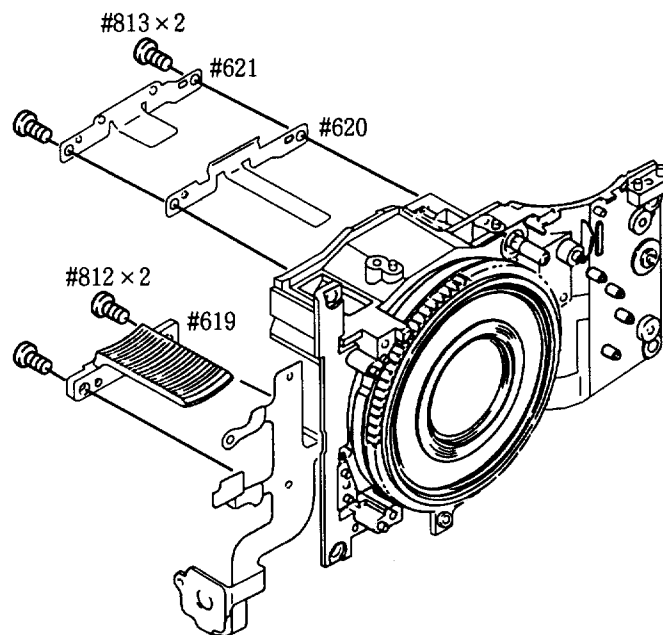
LENS COVER UNIT, JOINT GEAR GROUP



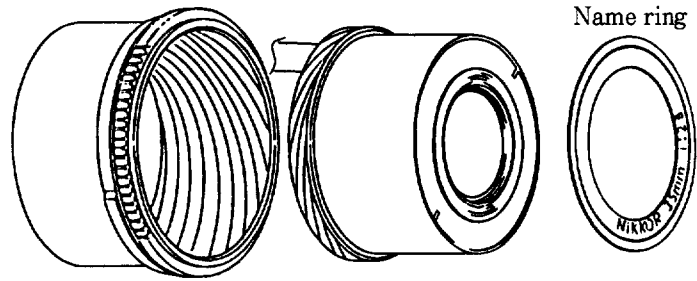
HELICOID GEAR UNIT



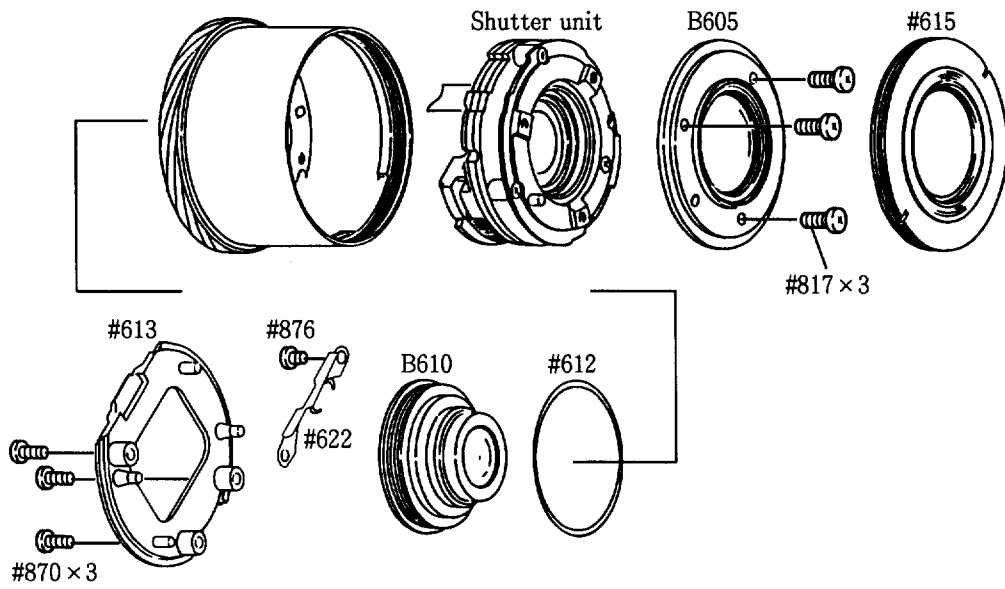
LENS BARREL GROUP



NAME RING



SHUTTER UNIT, FRONT LENS, REAR LENS, HELICOID

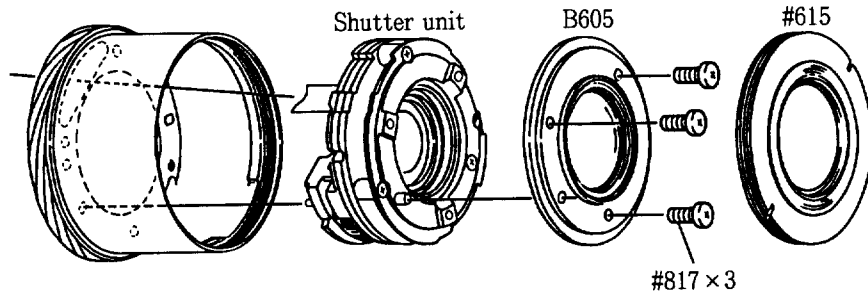


## ASSEMBLING / ADJUSTMENT

Shutter unit, front lens group	-----	A 1
Rear lens group	-----	A 1
Helicoid	-----	A 2
Lens barrel group	-----	A 2
Inspection of helicoid position	-----	A 3
Joint gear group	-----	A 3
Lens cover group	-----	A 4
Inspecting lens cover operation	-----	A 4
Date module unit, panorama unit	-----	A 5
Panorama lever group	-----	A 5
W/R motor group, W/R gear group	-----	A 6
Aligning of rear body and lens barrel unit	-----	A 7
AF unit, flash base plate unit	-----	A 7
Camera back lock releases	-----	A 8
Main FPC	-----	A 8
Viewfinder group, LCD unit	-----	A 1 1
Front cover	-----	A 1 2
Side cover	-----	A 1 2
Mode set unit, camera back	-----	A 1 3
Bottom cover	-----	A 1 3
Press-contact between the top cover and the main FPC	-----	A 1 3
Inspecting camera operation	-----	A 1 4
Adjustment of parallax	-----	A 1 6
Adjustment of back focus	-----	A 1 7
Adjustment of AE accuracy, adjustment of AF accuracy	-----	A 1 7
Adjustment of USA version	-----	A 1 8
Top cover	-----	A 1 9
Leatherette	-----	A 1 9

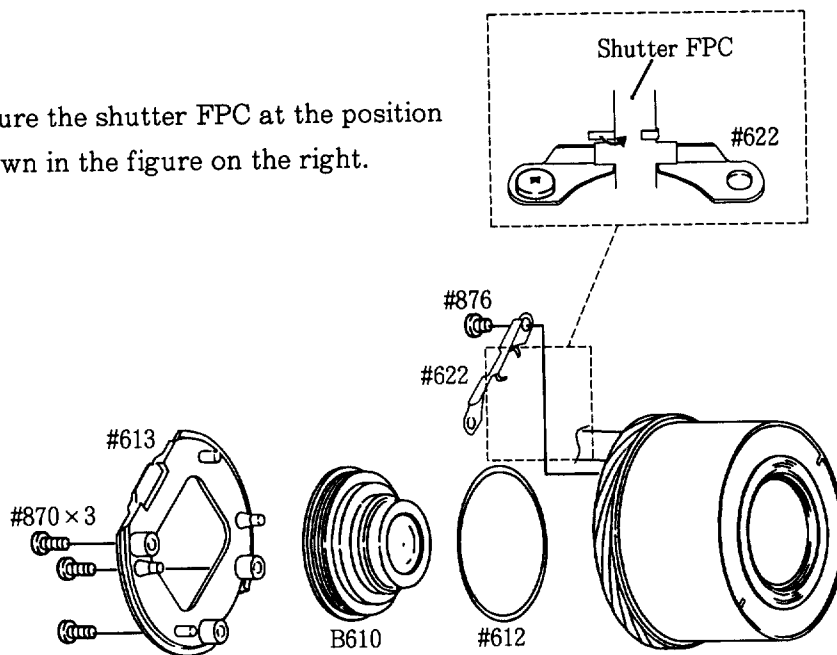
# ASSEMBLING / ADJUSTMENT

## SHUTTER UNIT, FRONT LENS GROUP



## REAR LENS GROUP

- Secure the shutter FPC at the position shown in the figure on the right.

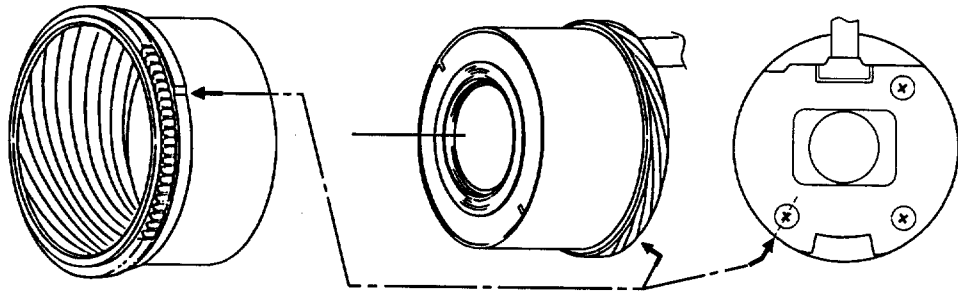


**Note:** When using washer #612 for adjusting space between the front and rear lens groups, set the thickness of the washer to  $0.2 \pm 0.03\text{mm}$ .

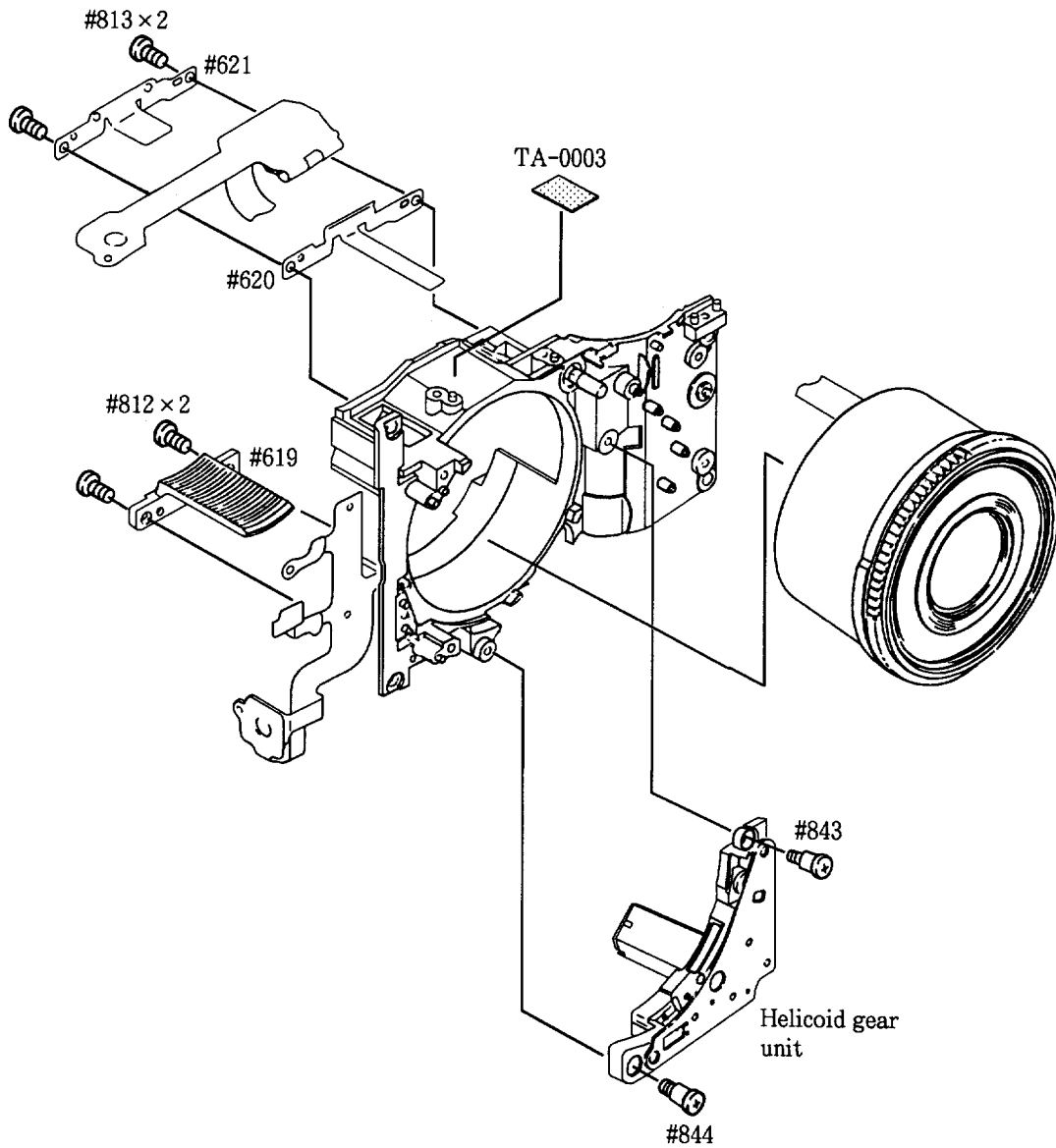
Parts	Dimensions
612A	t=0.05mm
612B	t=0.06mm
612C	t=0.07mm
612D	t=0.08mm
612E	t=0.09mm
612F	t=0.10mm



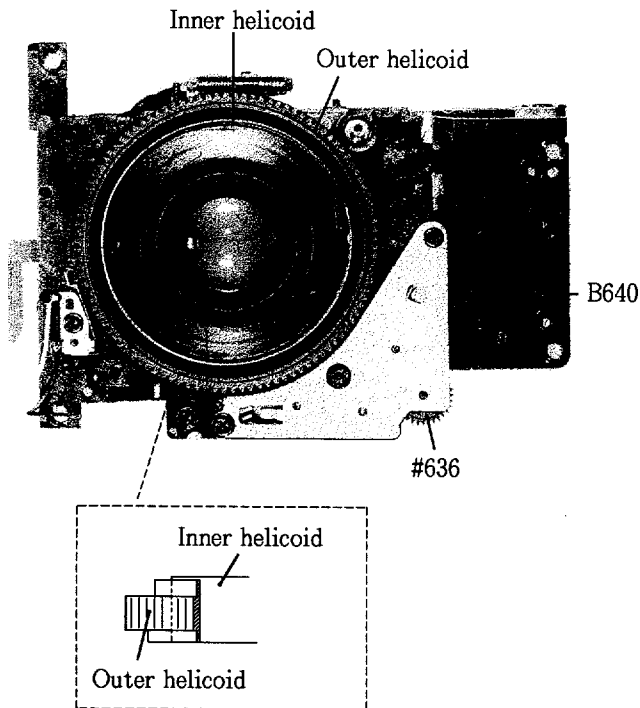
HELICCOID



LENS BARREL GROUP

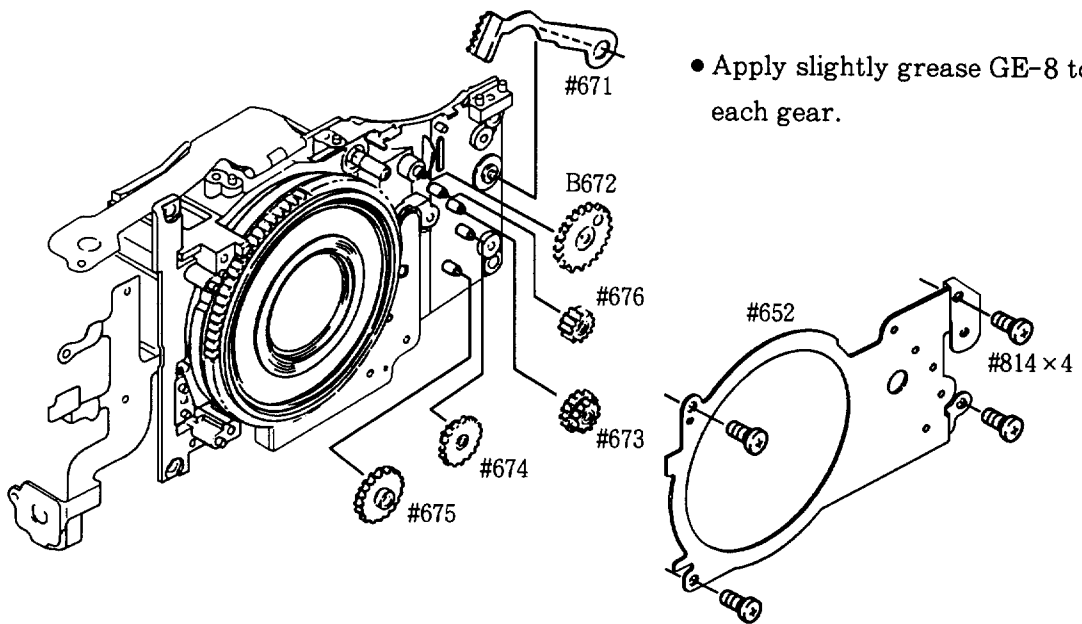


INSPECTION OF HELICOID POSITION



- ① Turn gear #636 counterclockwise.
  - ② Make sure that B640 comes off from the outer helicoid and gear #636 runs idle when the height of the inner helicoid becomes roughly level with the outer helicoid.
  - ③ Make sure that the inner helicoid moves forward by coupling the B640 with the outer helicoid when gear #636 is turned clockwise.
- ※ If it does not operate as mentioned above, try mounting the helicoid once again, since the lens has not been mounted at the correct position.

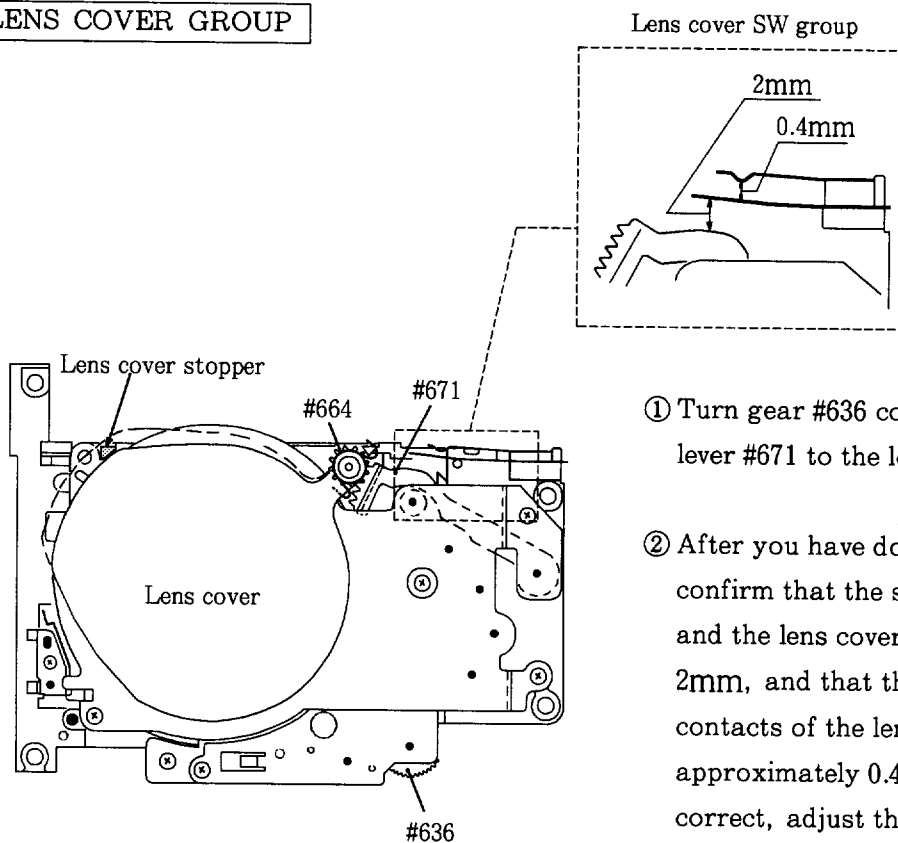
JOINT GEAR GROUP



Mounting procedures

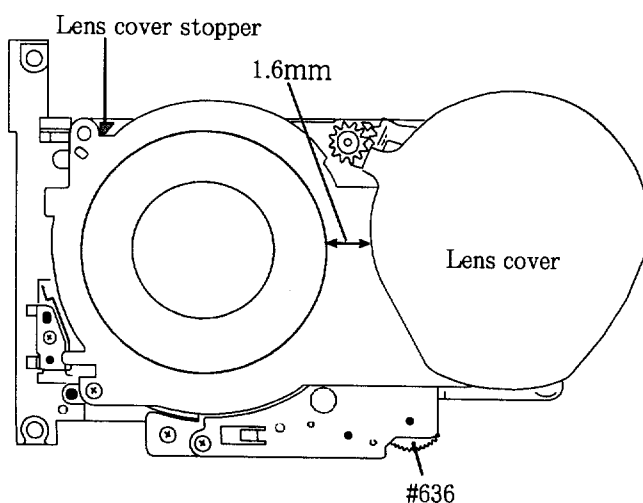
#675 → #673 → #674 → #676 → #671 → B672

## LENS COVER GROUP



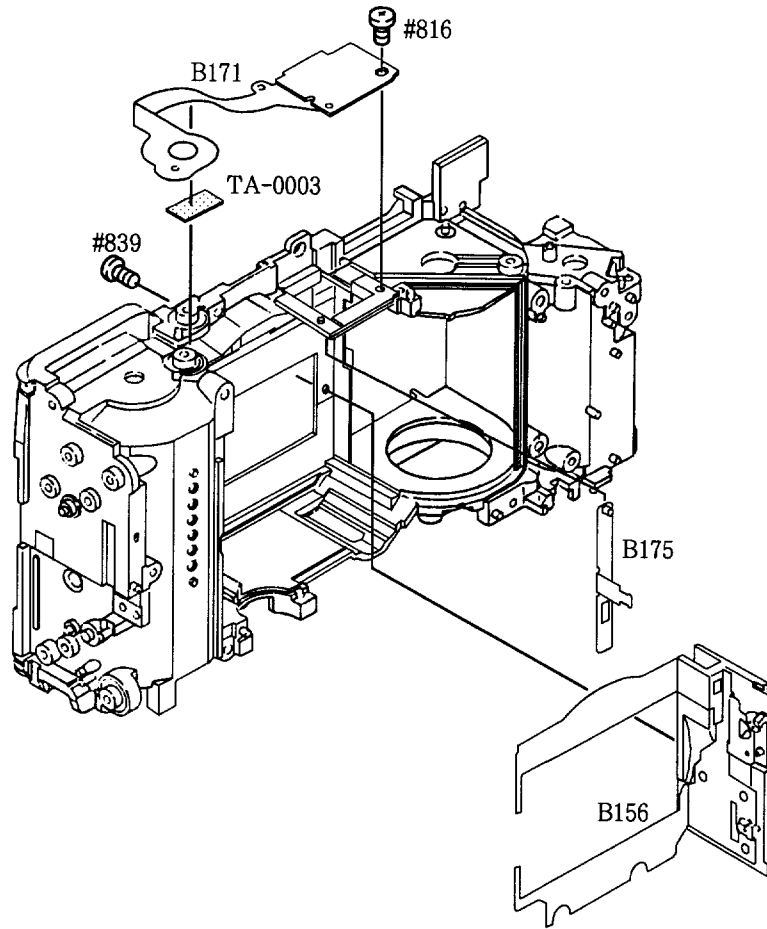
- ① Turn gear #636 counterclockwise to move lever #671 to the lowest position.
- ② After you have done this, check to confirm that the space between lever #671 and the lens cover switch is approximately 2mm, and that the space between contacts of the lens cover switch is approximately 0.4mm. If the space is not correct, adjust the mounting position.
- ③ Mount the lens cover at the position over the lens cover stopper, and hook spring #664.

## INSPECTING LENS COVER OPERATION

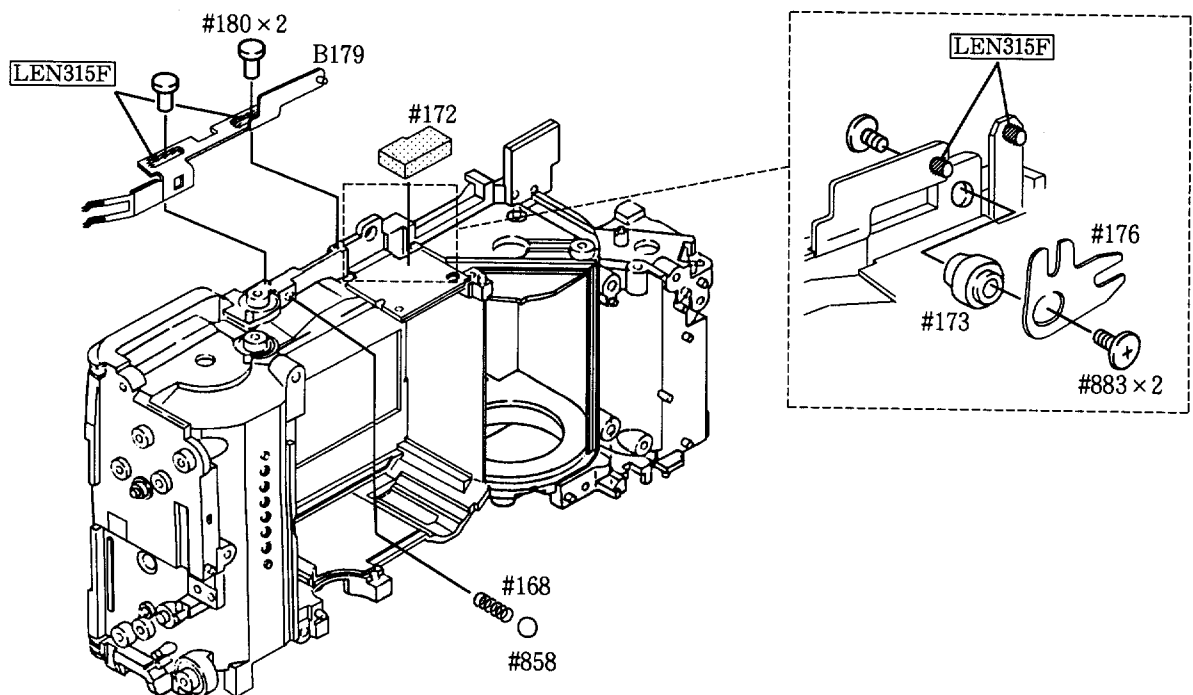


- ① Make sure that the lens cover opens when gear #636 is turned counter-clockwise, and that the lens cover switch turns ON when it is fully opened. Gear #636 runs idle at the same time.
- ② Check to see if there is approximately 1.6mm gap between the lens barrel and lens cover.
- ③ The lens cover closes up to the stopper and the lens cover switch is turned OFF when gear #636 is turned counterclockwise even farther.

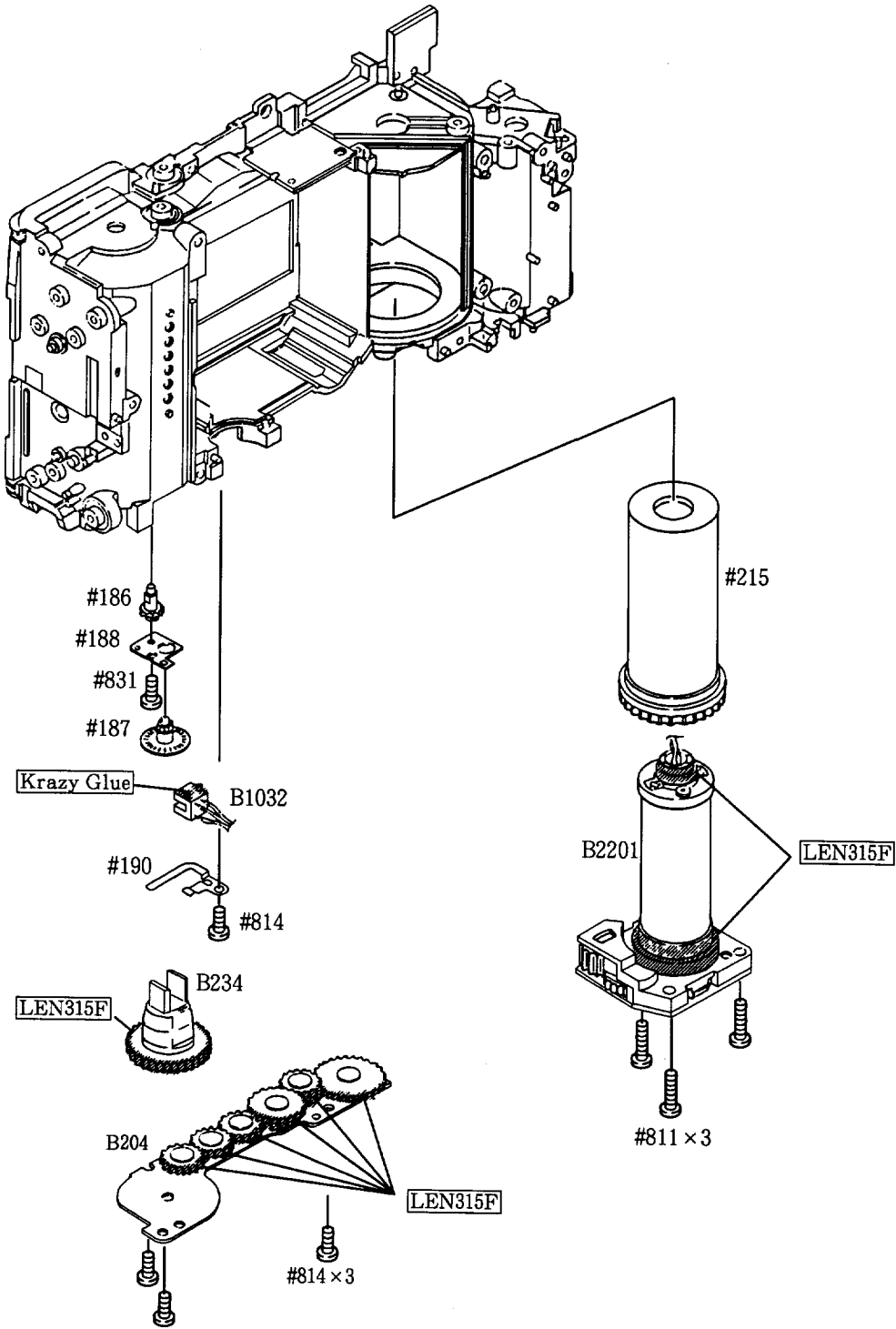
DATE MODULE UNIT, PANORAMA UNIT



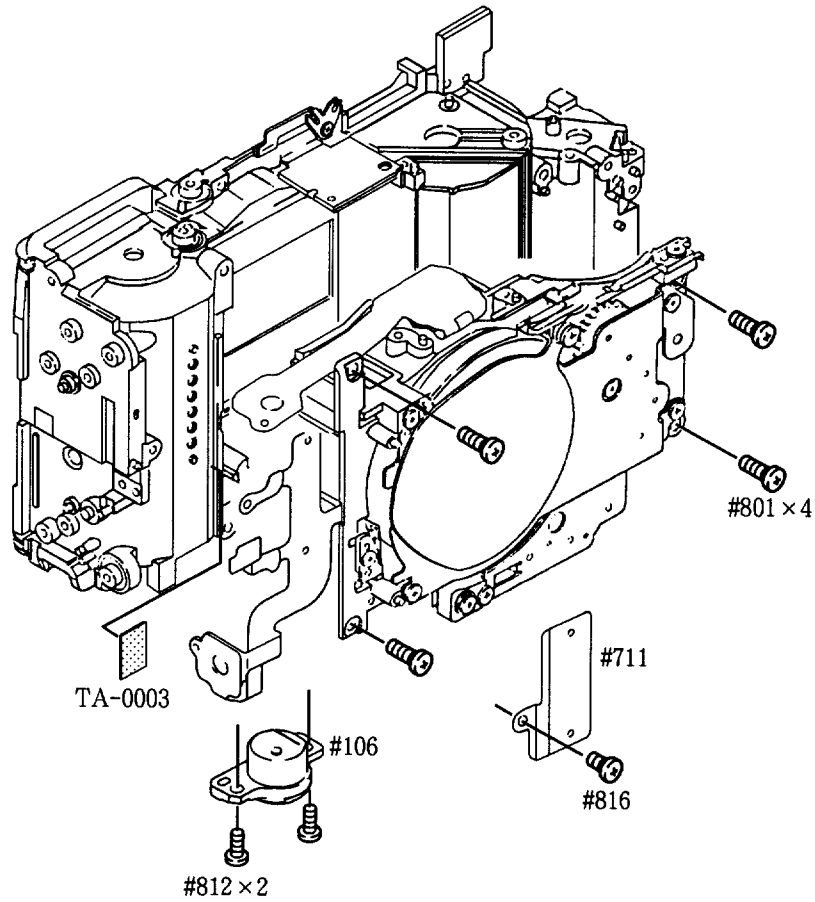
PANORAMA LEVER GROUP



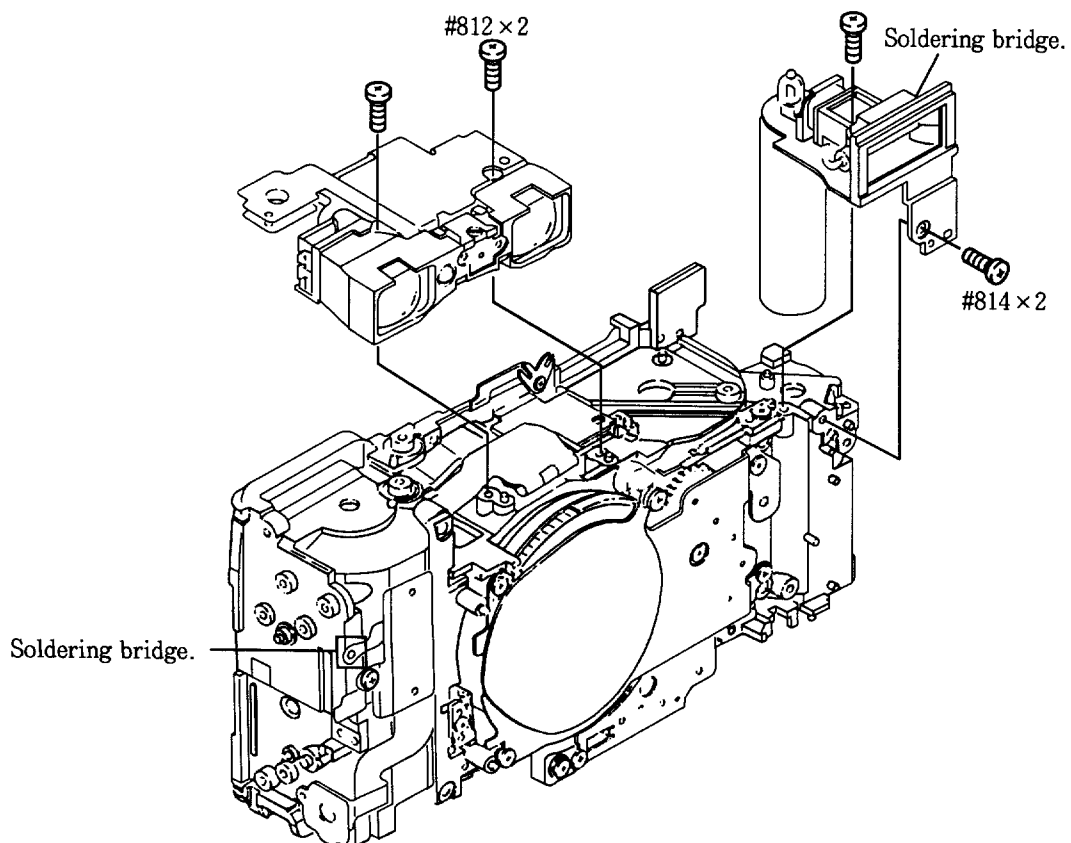
W/R MOTOR GROUP, W/R GEAR GROUP



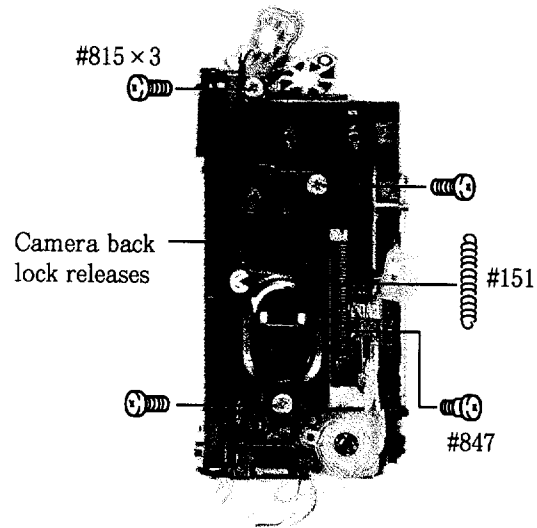
ALIGNING OF REAR BODY AND LENS BARREL UNIT



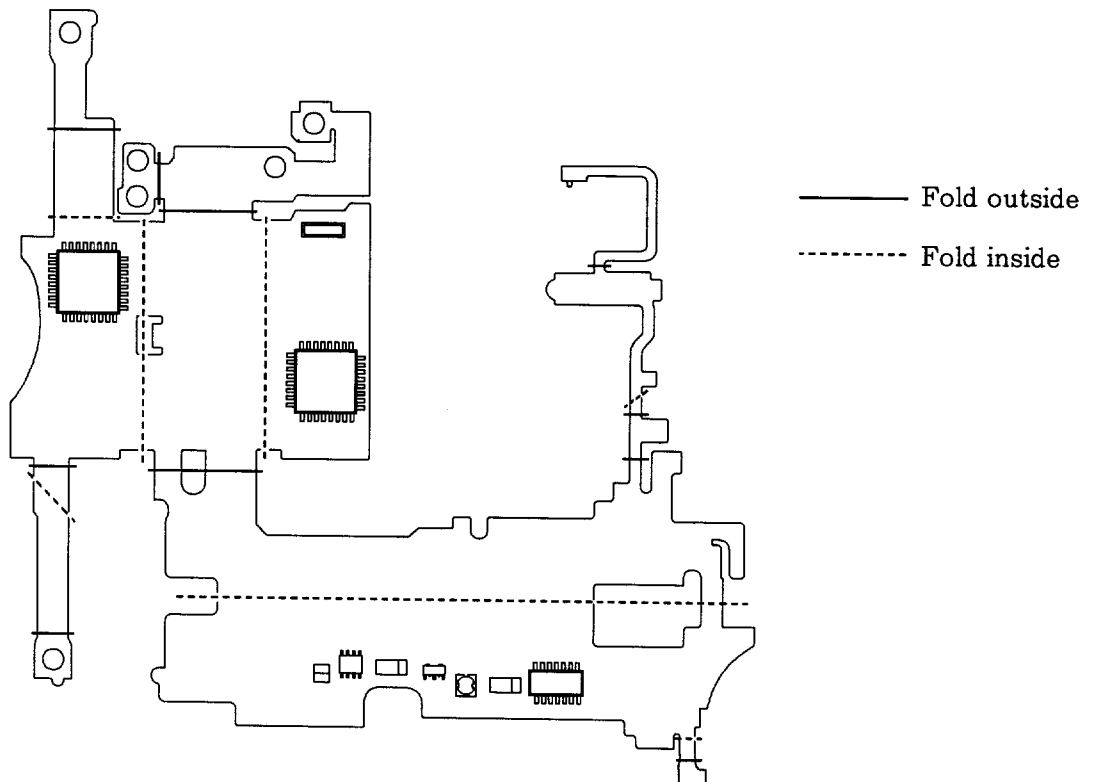
AF UNIT, FLASH BASE PLATE UNIT

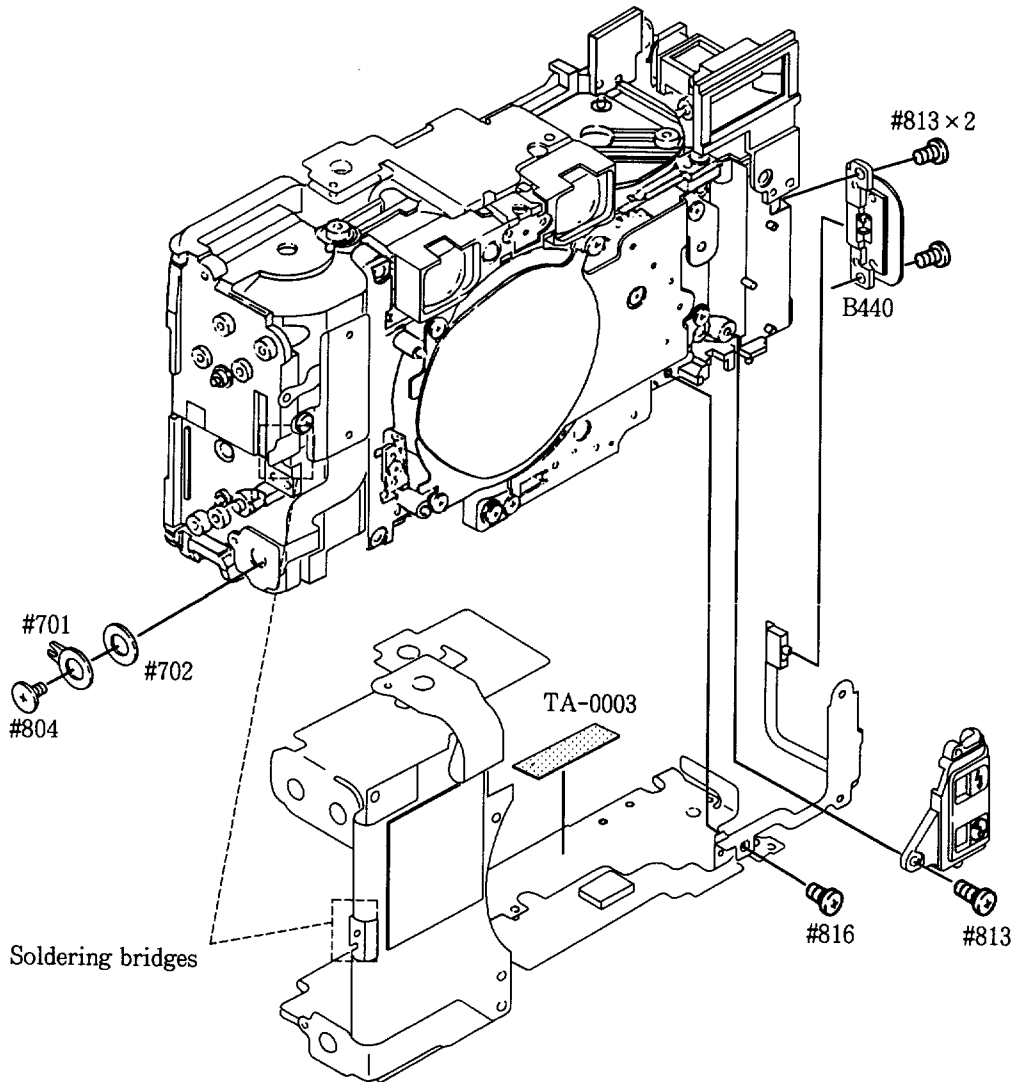


CAMERA BACK LOCK RELEASES

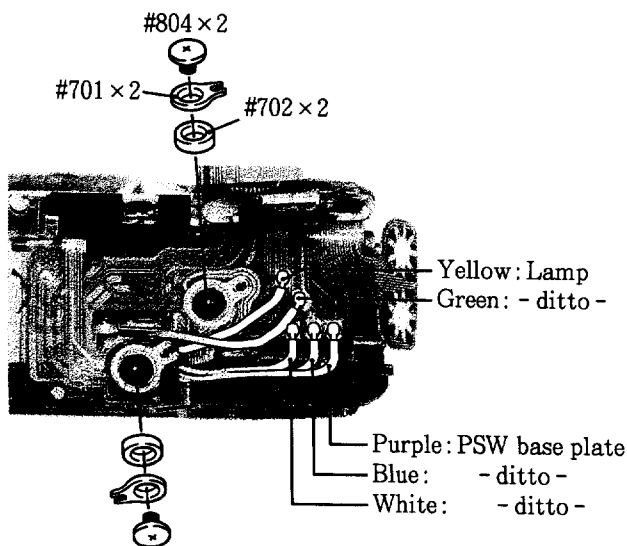
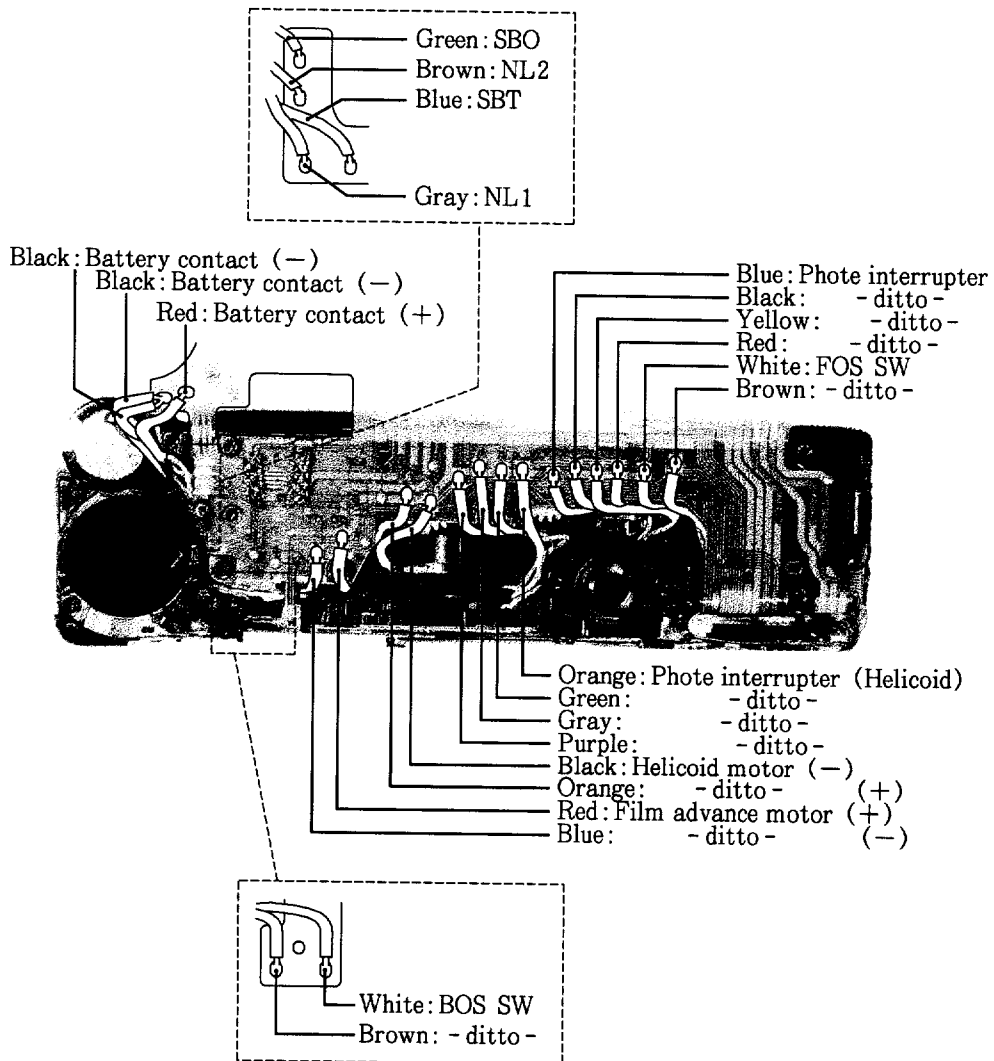


MAIN FPC

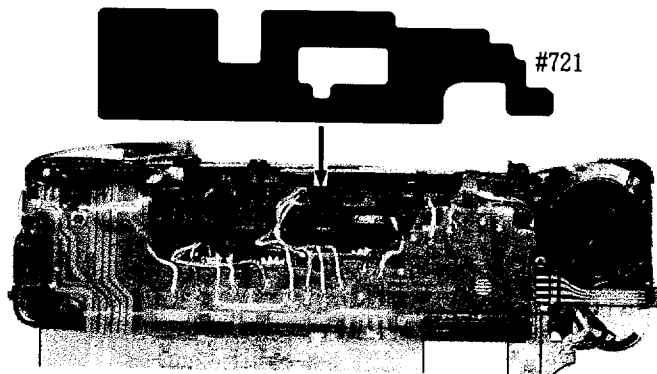
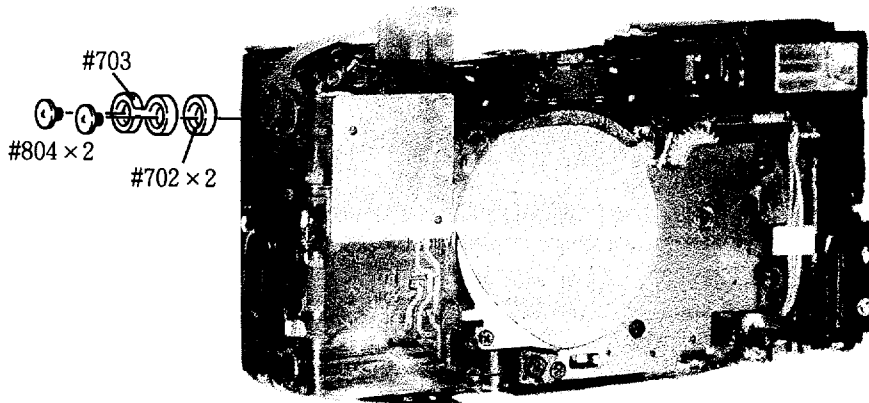
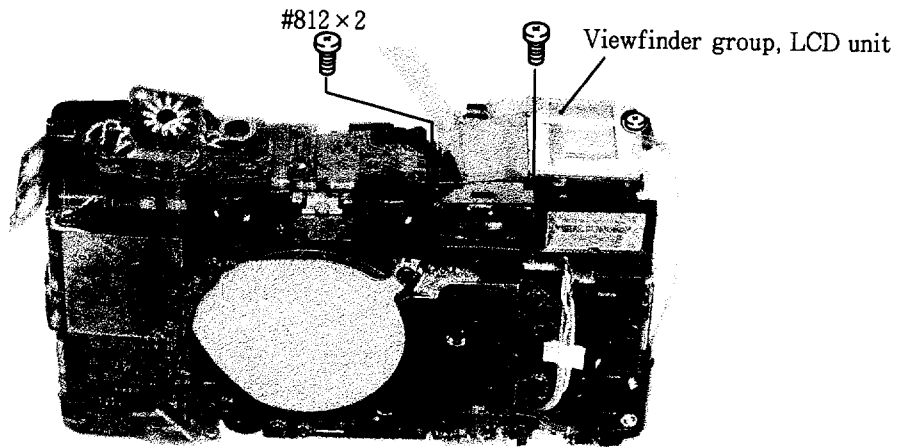




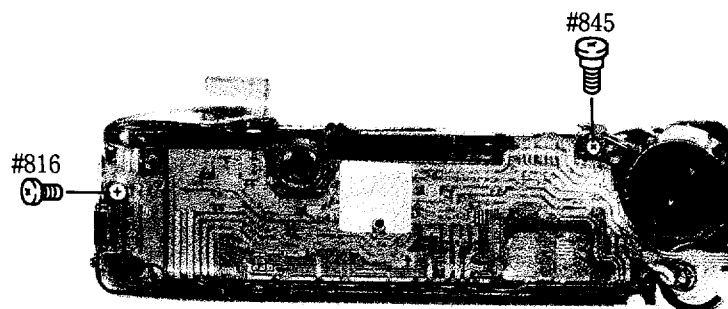




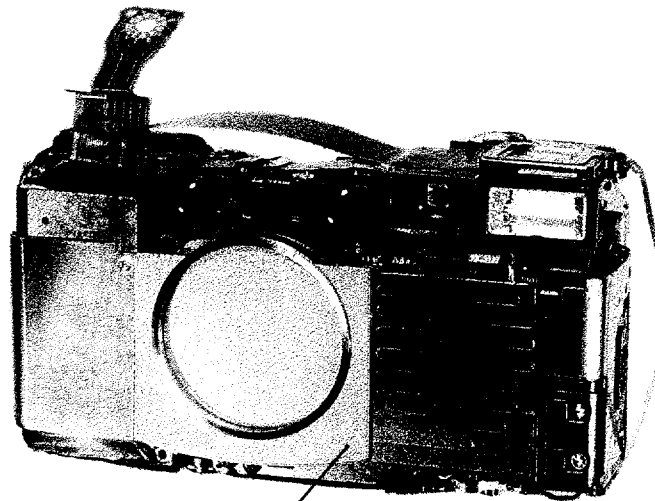
VIEWFINDER GROUP, LCD UNIT



Soldering bridges.

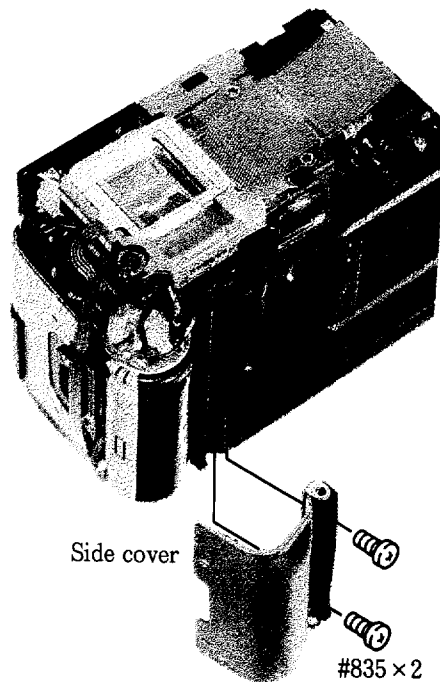


FRONT COVER



Front cover

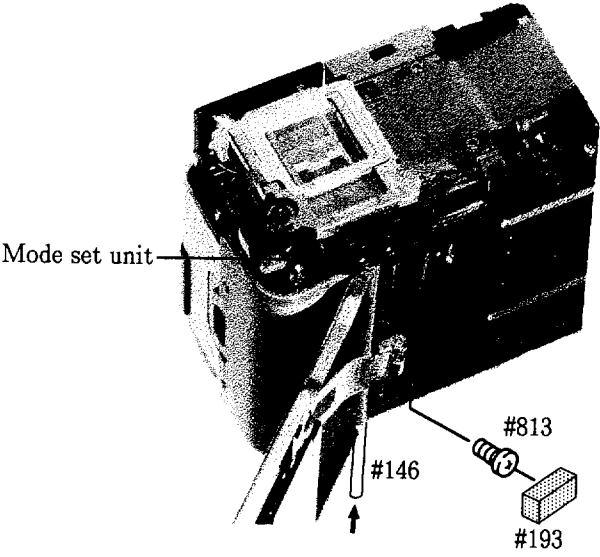
SIDE COVER



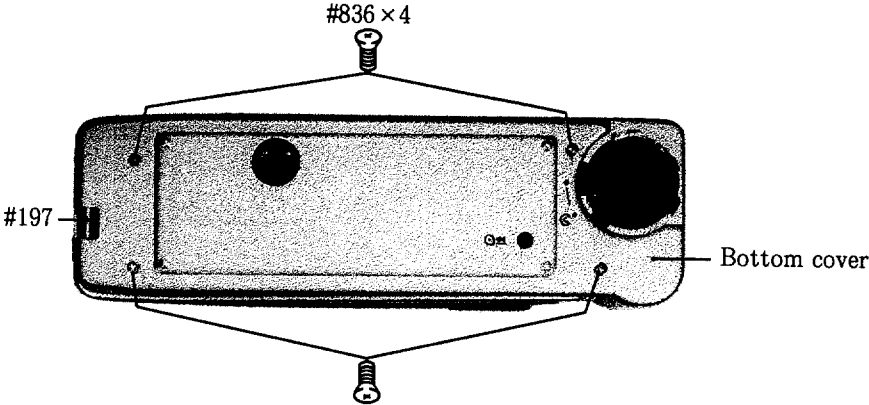
Side cover

#835 x 2

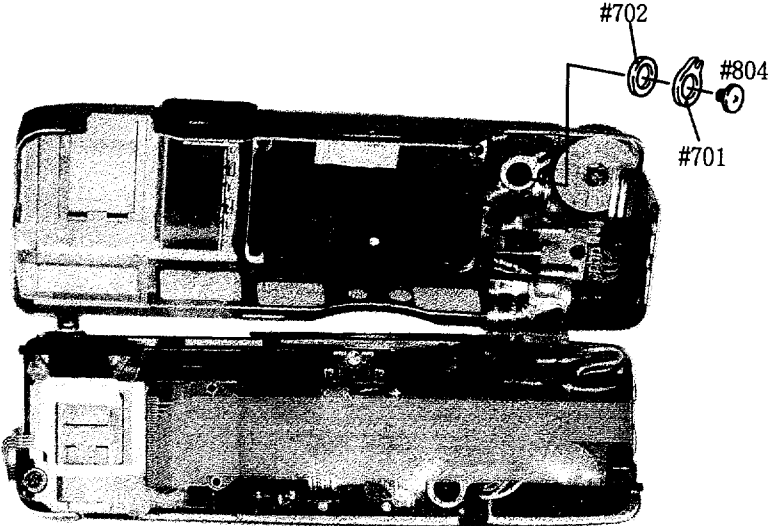
MODE SET UNIT, CAMERA BACK



BOTTOM COVER



PRESS-CONTACT BETWEEN THE TOP COVER AND THE MAIN FPC



INSPECTING CAMERA OPERATION
-----------------------------

1. When battery is loaded and the battery chamber lid is closed, the word " OFF " appears on the LCD panel.
2. When the selector dial is set to P (from OFF), the lens cover opens and the lens moves forward. Then " E " appears on the LCD panel.
3. When the shutter pre-release switch is ON, the lens barrel moves forward. At the same time, the indicator on the AF side moves.
4. When pressing the shutter release button, the shutter can be released.
5. When the selector dial is set to OFF, the lens barrel retracts and the lens cover closes.

## ADJUSTMENT

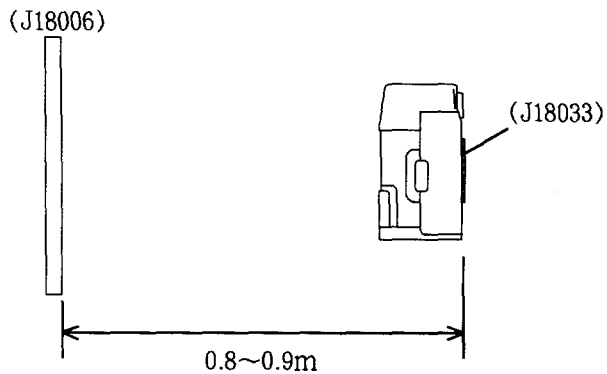
### • Contents

1. Adjustment of parallax
2. Adjustment of back focus
3. Adjustment of AE accuracy
4. Adjustment of AF accuracy
5. Adjustment of USA version

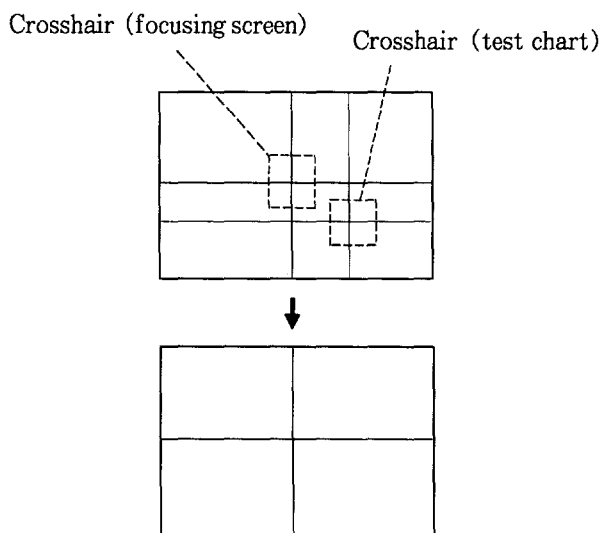
### • Tools

1. J 19019 : Collimator ( 24L T-2D T S f =193.5mm)
2. J 15278 : Connector relay box
3. J 15291 : Adjusting stand
4. J 15314 : Data back contact connector tool
5. J 18236 : Checking and adjustment programs
6. J 18006 : Test chart
7. J 18033 : Focusing screen tool
8. NEC PC-9800 series personal computer

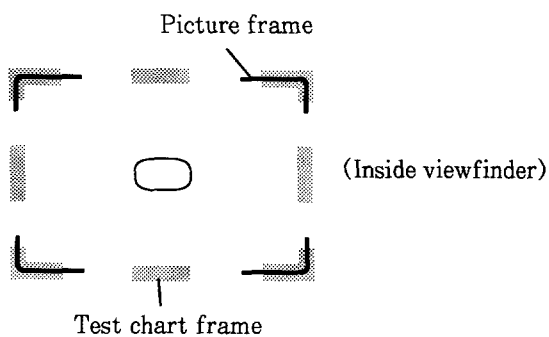
ADJUSTMENT OF PARALLAX



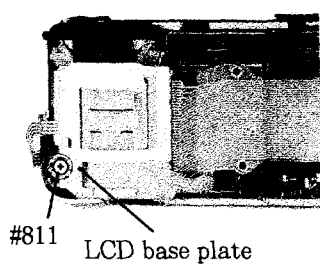
- ① Attach the focusing screen (J18033) to the camera's aperture surface.
- ② Set the camera in front of the test chart (J18006) placed at the set distance of 0.8 to 0.9m.



- ③ Set the selector dial to "T", aperture dial to f/2.8, and distance scale to 0.85m, then release the shutter.
- ④ Adjust the camera position so that a crosshair on the focusing screen aligns with a crosshair (on the test chart) projected on the aperture surface.



- ⑤ Unfasten screw #811 to adjust the LCD base plate so that the picture frame marks in the viewfinder line up with the test chart frames.

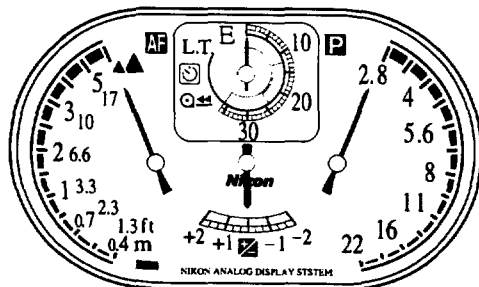
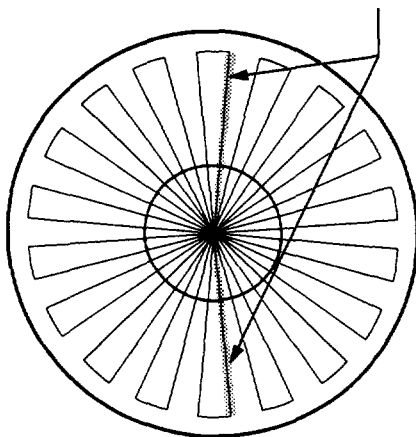


- ⑥ After adjustment, secure screw #811 with Screw Lock.

ADJUSTMENT OF BACK FOCUS

Standard :  
 Value of FFD adjustment micro stand at step 1 should be within  $0 \pm 40 \mu\text{m}$ .

Location where vertical line color changes from blue to red.



① Rotate the objective lens of the collimator (J19019) to set the scale to " 0 " .

② Set the scale of the FFD adjustment micro stand (J15291) to " 0 " .

③ Adjustment as indicated on the computer display.

- Focus the collimator when the screen color of the collimator changes from blue to red.

※ Normally, when you check back focus without using a personal computer, set the indicator on the aperture to 2.8, the indicator on the distance side to the small " ▲ " mark, and the selector dial to " T ", respectively, to make back focus adjustment.

ADJUSTMENT OF AE ACCURACY, ADJUSTMENT OF AF ACCURACY

- Adjustment as indicated on the computer display.  
 (As for standard values, refer to "Inspection standard".)

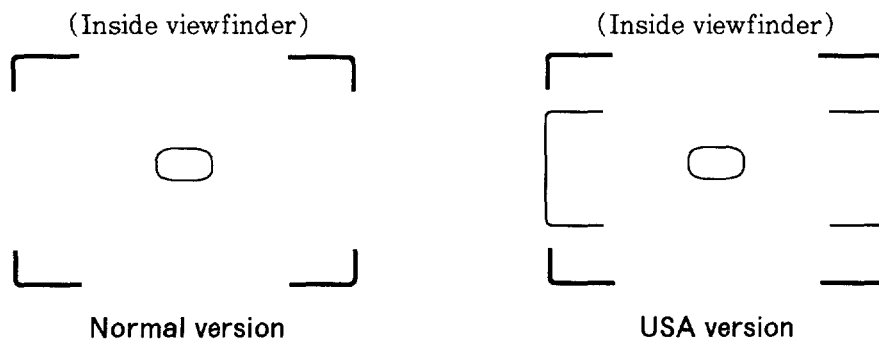


ADJUSTMENT OF USA VERSION
---------------------------

- Two types of cameras are available : the normal and USA versions. As shown in the figure below, the difference between the two is in the picture frame marks in the viewfinder. Main FPCs as a repair part will be provided based on the normal version.

**Note:**

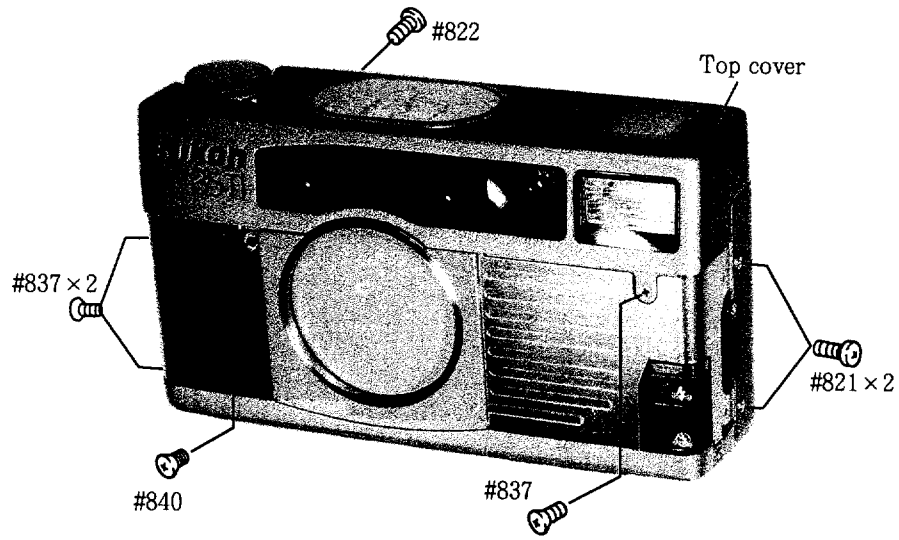
**When replacing a main FPC in the USA version camera, after repair be sure to make adjustments based on the USA version.**



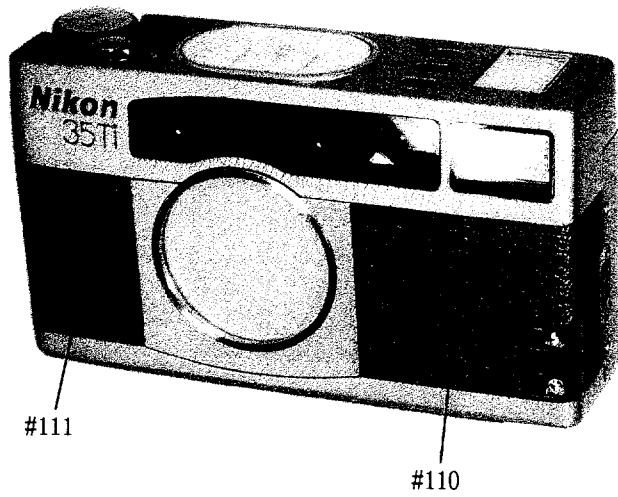
- When making adjustment, select the item 『 9. Setting of USA version 』 on the computer display, according to instructions.

**Note:** Do not attempt to modify the normal version to the USA version and vice versa.

TOP COVER



LEATHERETTE



## Electric Circuit

## Outline

1. Electric Circuit -----	E 1
2. Configuration -----	E 2
Switch Name Table -----	E 3
Check Land Table -----	E 4
IC Pin Table -----	E 5
Wiring Diagram -----	E 8
Circuit Diagram -----	E 9
Main FPC -----	E 10
Main FPC Checking Land -----	E 11
AF FPC -----	E 13
AF FPC Checking Land -----	E 14
EEPROM DATA -----	E 15

## Outline

### 1. Electric circuit

The following power sources are included in this electric circuit. Each power source and its description is shown below.

- (1) VE (battery voltage) system
  - Power source for speedlight (SB)
  - Power source for film advance motor
  - Power source for driving lens barrel
  - Power source for driving stepping motor
- (2) 1.2V system (U11 output) – for stopping speedlight charging (when battery voltage drops below 1.2V during charging speedlight or driving motor)
- (3) 2.3V output (U12 output) – for checking the U2's battery. BC when U12 output voltage is lower than 2.3V.
- (4) VDD (DC-DC input voltage) – input voltage for DC-DC converter. Power source for back light LEDs (D1, D2). IRED lights up dimly by power sources D1 and D2 when EV is lower than 3.5V due to the voltage drop of R3 only. While it lights up brightly when Ev is over 3.5V due to the voltage drop of both R3 and R2.
- (5) 1.7V system (U8 output) – Power source for U2.
- (6) VDD (5V) system (DC-DC output) – Power source for IC driving other than U2.
- (7) 4V system (U10 output) – Reference voltage for the U1's A/D input.

Power activation occurs in the following procedures:

1. The U2 is reset by the PSW (or the U2 is reset if power activation switch is turned ON when battery is loaded).
2. DC-DC converter is activated.
3. The U1 reset is released (by U2).
4. Waiting time (for stability of analog display CPU)
5. Battery check (BC) operation
  - Power activation switch (Refer to switch table.)

BC0 Checking if the voltage is over 2.15V with no loading.

BC1 Checking if the voltage is over 2.3V with 500mA loading (Electric current flows to the shutter driving stepping motor).

BC2 Checking if the voltage is over 2.15V with 500mA loading.

BC mark blinks on the LCD in the items BC1 and BC2 above. LCD goes out in the items BC2 and after.

## 2. Configuration

- U1 — Performing camera's all sequence operations (including motor driving, shutter control, etc.) Performing data processing for AE and AF operations, shutter sequence operation, and various other data communication (for U2, U6, data back module, and inspection equipment).
- U2 — Transferring data to analog display CPU. Controlling external LCD. Transferring code from the U1 after converting it to control code.
- U3 — Driving film advance motor and lens barrel motor. Motor driver IC (controlled by the U1.) Driving amount of each motor can be controlled by pulse signals generated from each photo interrupter. Then the pulse signals are entered into the U1 and counted.
- U4 — AF controlling IC. IRED constant current driving circuit and PSD input circuit are included. Infrared light emitted from the IRED is reflected on the object and the reflected light returns back to the PSD. The AF output signal is sent to the U1. Then the U1 calculates the driving amount of the lens.
- U5 — IC for matrix exposure metering. SPD unit is included. Output from the 6-segment SPD is amplified by the head amp and transferred to the U1 in time sequence. Then the U1 calculates AE values from this output data.

## Switch Name Table

NO	Code	Switch Name	PO	NO	Code	Switch Name	PO
1	BBS	Camera Back Switch	○	12	AFS	Distance Set Switch	—
2	PSW	Battery-Case Switch	○	13	ECS	AE-Compensation Switch	—
3	SLS	DataBack Select Switch	—	14	S1	Pre-release Switch	○
4	AJS	DataBack Adjust Switch	—	15	MUS	Manual Rewind Switch	○
5	SDT	SelectDial Triger Switch	○	16	NRS	Flash-Inhibition SW	—
6	CRS	Command Dial 1	○	17	SKS	Flash-Forced Switch	○
7	SD1	Select Dial 1	—	18	PSST	Panorama Set Triger	○
8	SD2	Select Dial 2	—	19	PTS	Red-eye-Reduction SW	—
9	CLS	Command Dial 2	—	20	PSS	Panorama Set Switch	—
10	S2	Release Switch	—	21	FOS	Focus Reset Switch	—
11	S3	Self Switch	○	22	BOS	Barrier Open Switch	—

SW — Switch

PO — Power On Switch

"○" marked switches are "Power On Switch"

## Check Land Table

Mein FPC		
Land Name	Name of Signal	Conect
TPPSW	Battery Case Switch	PSW ← →R11 →U2 68p
TPSBO	SpeedLight ON-OFF	R10 ← →U1 42P
TPRESET	U1 Reset Signal	Q6C ← →R15,C12,U1 60p
TPNL2	SB Safety Voltage Detect	Q15C← →U1 79p
TPAVREF	ReferenceVoltage for A/D	U10 3p,C15← →U1 75p
TPX2	System Clock for U1	X1← →U1 69p
TPXCS	U2 Serial Enable Signal	u2 20p← →U1 36p
TPVSSL	Power for LCD	C5← →U2 29p
TPCS	E <sup>2</sup> PROM Chip Select	U1 10p← →R1,U6 3p
TPXRD	U2 Serial Data Output	U2 25p← →Q3B Q3C →U1 65p
TPSO	U2 Serial Data Input	U2 23p← →R7,R8 R8→U1 13p,U6 5p
TPSCK	U1-U2 Serial Clock	U2 26p← →R7,R8 R8 →U1 13p,U6 4p
TPSWT	Panorama Switch	U2 22p← →D5 anode、PSST
TP5V	5 V Power Source	U7 Vout ← →U1,U3 ,PINT (Vdd)
TP6V	6 V Power Source	→D1,D2, PowerSource for AF-Circuit
TPVE	Batery + Terminal	→Power for Motor
TP1.7V	1. 7 V Power Source	→Power Source for U2
TPR1.2V	1. 2 V Power Source	→Q5B (SB Oscilation stop)
TPL1	DC-DC Voltage-Up	L1,Q14 D← →Q14C
TPC9	DC-DC Oscilation 1	→C9,R5,Q14B
TPEXT	DC-DC Oscilation 2	→C9,R5,U7 EXT
TPAGND	GND for Analog	_____
TPDGND	GND for Digital	_____
TPPGND	GND for Power	_____
TPMUS	Manual U-Turn Switch	MUS ← →U1 20p,D5
TPNRS	Flash Inhibit Switch	NRS ← →U1 22p
TPSKS	Flash Forced Switch	SKS ← →U1 23p,D5
TPRDL	Red-eye Ruduction Lamp	RDL ← →Q13C
TPPTS	Red-eye Reduction Switch	PTS ← →U1 14p
TPCKIN	Clock for AF-Data	U4 16p、D3← →U1 49p

A E A F F P C		
Land Name	Name of Signal	Conect
TPCH1	AF CH1 Signal	U4 9p ← →C108
TPCH2	AF CH2 Signal	U4 2p ← →C109
TPVCC	Power for U4	U410p,L2,PSD 6p
TPIREDL	IRE Drive Signal	U4 17p← →R21,Q16B
TPIREDA	NC	→U4 19p
TPIREDC	NC	→U4 18p

## IC Pin Table

CPU ( $\mu$ PD78052) U1

NO	PORT	Name & Contact	NO	PORT	Name & Contact
1	P15	B.C. Controll →1/2Q7B	41	P65	Barrier Open Switch → BOS
2	P16	U10 Controll →2/2Q7B	42	P66	SpeedLightCharge → R10
3	P17	DX 6 → R16→DX6	43	P67	NC
4	AVss	AGND	44	P30	AMP ChannelChange →U5 10p
5	P130	DX 3 →1/4R17→DX3	45	P31	AMP RangeChange →U5 5p
6	P131	DX 2 →1/4R17→DX2	46	P32	AMP ChargeSignal →U5 4p
7	AVREF1	NC	47	P33	AMP OutputEnable →U5 7p
8	P70	DX 5 →1/4R17→DX5	48	P34	AF SerialSyncro. →U4 15p
9	P71	DX 1 →1/4R17→DX1	49	P35	AF SerialClock→D3→U4 16p
10	P72	E <sup>2</sup> PROM ChipSelect U6 CS	50	P36	AF SerialData →U4 14p
11	P20	Serial Input 1/2Q3C	51	P37	NC
12	P21	Serial Output 1/2 R8	52	P120	Mg Drive →Shutter P01
13	P22	Serial Clock 2/2 R8	53	P121	Mg Release→Shutter P02
14	P23	Red-eye Reduction Switch → PTS	54	P122	Mg Controll →Shutter CT1
15	P24	DX Comunication →MKR	55	P123	Mg Control2 →Shutter CT2
16	P25	Panorama Switch → PSS	56	P124	MotorDriveSignal2 →U3 IN2
17	P26	Select Dial 1 → SD1	57	P125	MotorDriveSignal1 →U3 IN1
18	P27	Select Dial 2 → SD2	58	P126	MotorDriveSignal $\phi$ →U3 IN0
19	P40	Self Switch →S3	59	P127	Lens PI PowerSupply →Q10B
20	P41	ManualRewind SW → MUS	60	RESET	→ C12, R15, Q6C, TPRESET
21	P42	AnalogDisplay IC (D1 Monitor) → Q1C	61	P00	Shutter Open Detective → →ShutterIC PROUT
22	P43	FlashInhibition SW→ NRS	62	P01	Film PI Output→Film PI
23	P44	Flash Forced SW → SKS	63	P02	Lens PI Output→Lens PI
24	P45	Distance Set Switch AFS	64	P03	Focus Reset → FOS
25	P46	AE-Compensation → ECS	65	P04	U2 SerialControl →2/2Q3C
26	P47	NC	66	P05	Release Switch →S2
27	P50	Command Dial 2 → CLS	67	P06	Command Dial 1 → CRS
28	P51	Pre-release Switch →S1	68	Vdd	V d d
29	P52	VC forDB→DB VC(1/2Q10C)	69	X2	→Crystal
30	P53	DB Data Signal → DB D1	70	X1	→Crystal
31	P54	↓ →DB D23	71	IC	GND
32	P55	↓ → DB D4	72	XT2	NC
33	Vss	GND	73	XT1	AV d d
34	P56	DB Data Signal →DB D56	74	AVdd	AV d d
35	P57	↓ → DB D7	75	AVREF0	Reference Voltage for A/D →U10 3p
36	P60	U2 Chip Enable →U2 20p	76	P10	AMP-Output →U5 2p
37	P61	Red-eye-ruduction Lamp Drive Signal →Q13B	77	P11	B. C. Voltage Input
38	P62	AnalogDisplayIlluminator Drive →Q12B	78	P12	Ready Voltage Detective →Q7C
39	P63	FinderIlluminator Drive (Low intensity) →R3	79	P13	SpeedLight SaftyVoltage Detective →Q15C
40	P64	FinderIlluminator Drive (High intensty) →Q2B	80	P14	SpeedLight Trriger →Q9B

DB — Data Back PI — Photo Interrupter  
 BC — Battery Check Mg — Magnet



## CPU (MSM64164) U2

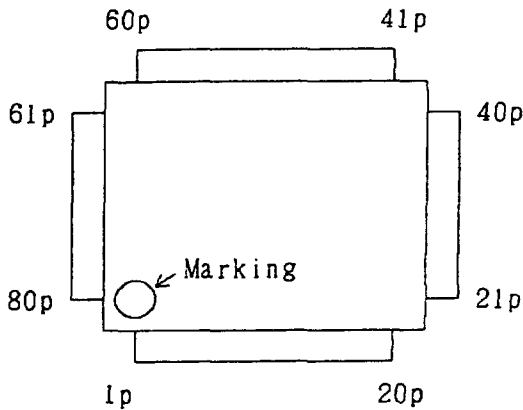
NO	PORT	Name & Contact	NO	PORT	Name & Contact
1	L2	LCD Segment → LCD	41	VSS	GND
2	L3	NC	42	VSS2	Power for LCD → C6
3	L4		43	VSS3	Power for LCD → C7
4	L5		44	C1	Conect to C8 → C8
5	L6	LCD Segment → LCD	45	C2	Conect to C8 → C8
6	L7		46	L17	LCD Segment → LCD
7	L8		47	L18	
8	L9		48	L19	
9	L10		49	L20	
10	L11		50	L21	
11	L12		51	L22	
12	L13		52	L23	
13	L14		53	L24	
14	L15		54	L25	
15	L16		55	P5.0	
16	P2.0	→ (Analog Display CPU D1) Q1B	56	P5.1	
17	P2.1	→ Analog Display CPU A	57	P5.2	
18	P2.2	→ Analog Display CPU B	58	P5.3	
19	P2.3	→ Analog Display CPU RA2	59	P6.0	
20	P3.0	U2 Serial Enable → U1 36p	60	P6.1	
21	P3.1	SD Trigger Switch → SDT	61	P6.2	
22	P3.2	SW WakeUp Signal → PSST	62	P6.3	U1 Reset Output → Q6B
23	P3.3	SerialData Input → 1/2R7	63	OSC2	Clock (Conect to R12) → R12
24	P4.0	SerialDataOutput → 2/2Q3E	64	OSC1	Clock (Conect to R12) → R12
25	P4.1	U2 SerialControl → 1/2Q3E	65	VDD	V d d
26	P4.2	DataCommunication → 2/2R7	66	XT	Clock for Operation → X2
27	P4.3	2.3V Output → U12 1p	67	XT	Clock for Operation → X2
28	BD	U7 ControlSignal → U7 2p	68	RESET	Reset Input → U7 3p
29	VSSL	Power for LCD → C5	69	TEST1	NC
30	VDD	V d d	70	TEST2	NC
31	RTO	NC	71	P1.0	→ Analog Display CPU C
32	CRT0		72	P1.1	→ Analog Display CPU D
33	RSO		73	P1.2	→ Analog Display CPU K
34	CSO		74	P1.3	NC
35	IND		75	P0.0	NC
36	INI		76	P0.1	Camera Back Switch → BBS
37	CSI		77	P0.2	DataBack Adjust SW → AJS
38	RSI		78	P0.3	DataBack Select SW → SLS
39	RTI		79	L0	LCD Segment → LCD
40	VSSI	GND	80	L1	

AF (IR3S79) U4

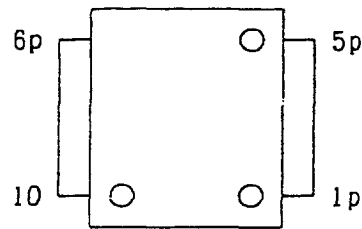
NO	PORT	Name & Contact	NO	PORT	Name & Contact
1	GND	GND	11	TEST1	NC
2	CH2	Connect to C109 →C109	12	TEST2	NC
3	PSDR2	NC	13	CINT	For Integer → C20
4	PSDC2	NC	14	DATA	Data In-Output →U1 50p
5	PSDL2	PSD Input(Near) →PSD1	15	CTRL	Control →U1 48p
6	PSDL1	PSD Input(Far) →PSD4	16	CKIN	Clock →D3→U1 49p
7	PSDC1	NC	17	IREDI	IRE Drive →Q16B
8	PSDR1	NC	18	IREDC	NC
9	CH1	Connect to C108 →C108	19	IREDR	NC
10	VCC	Vcc	20	FB	IRE Current Control→D6 K

AEIC (M52960FP) U5

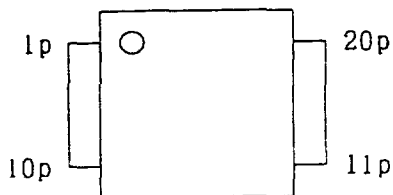
NO	PORT	Name & Contact	NO	PORT	Name & Contact
1	VREF	NC	6	TEST	NC
2	VOUT	Metering Output →U1 76p	7	CS	Chip Select →U1 47p
3	VCC	Vcc	8	DGND	GND
4	CHG	Charge Signal →U1 46p	9	AGND	GND
5	LS	Range Change →U1 45p	10	CLK	Clock for Output →U1 44p



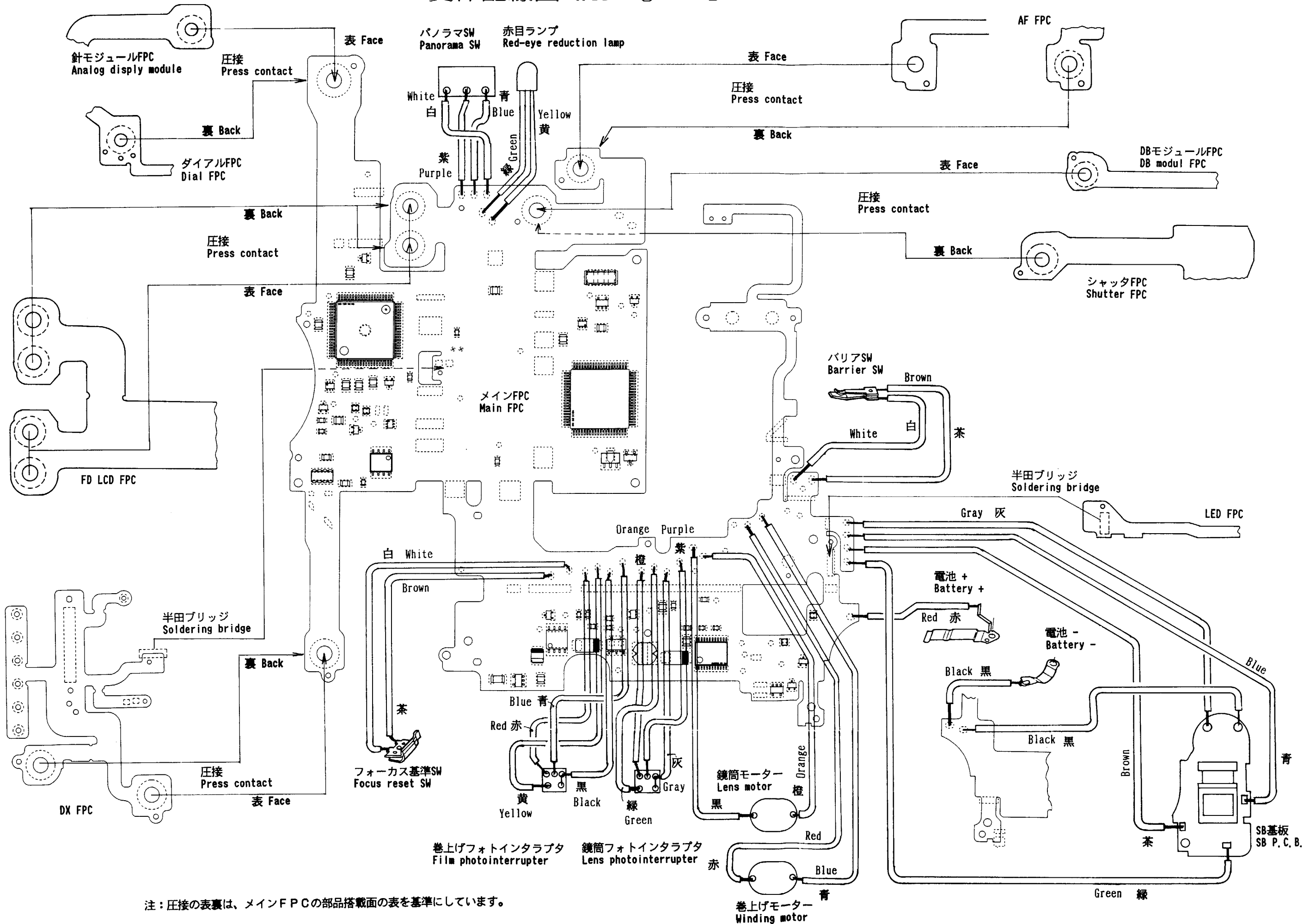
U 1 . U 2 Pin Number



U 5 Pin Number

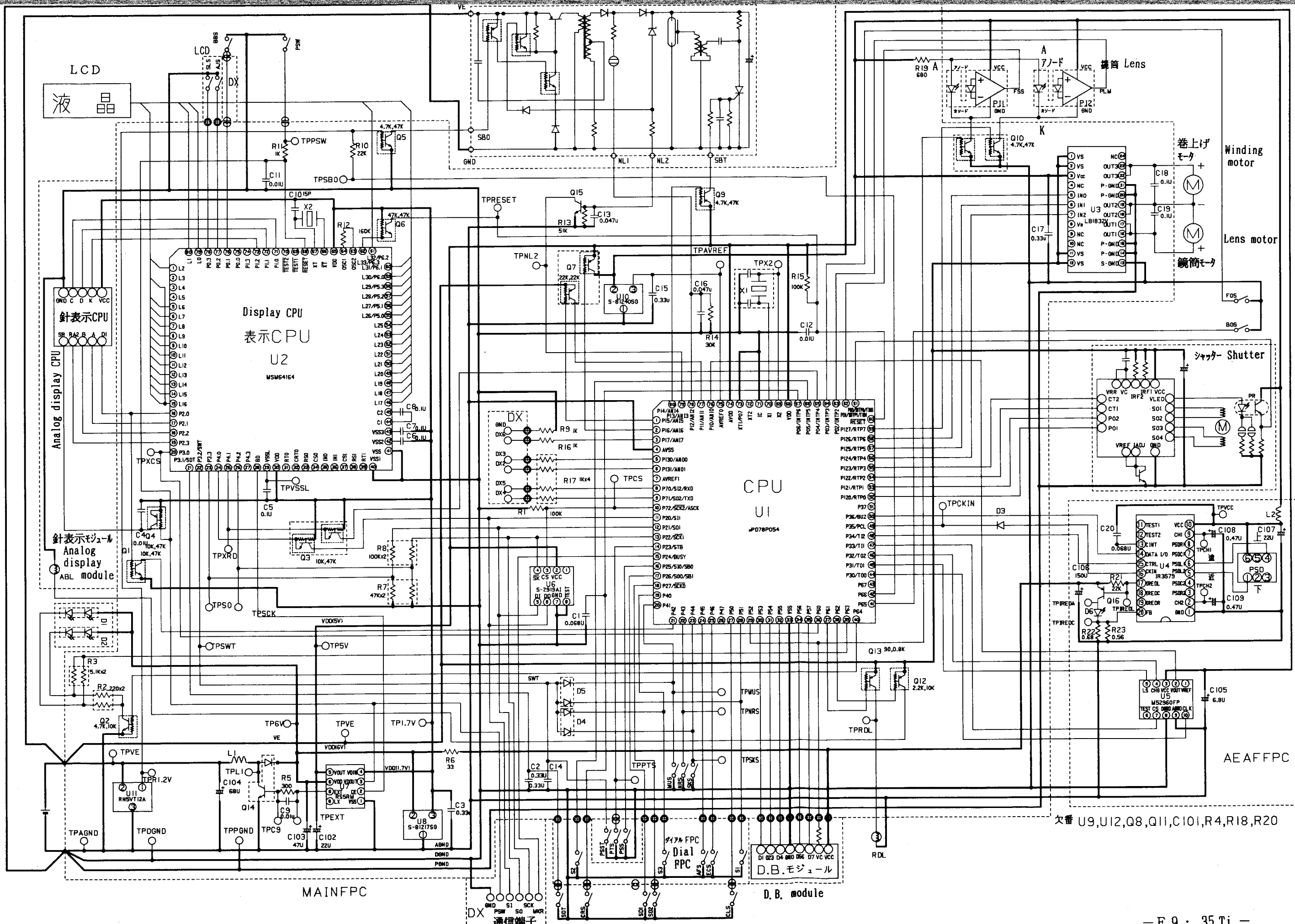


U 4 Pin Number



注：圧接の表裏は、メインFPCの部品搭載面の表を基準にしています。

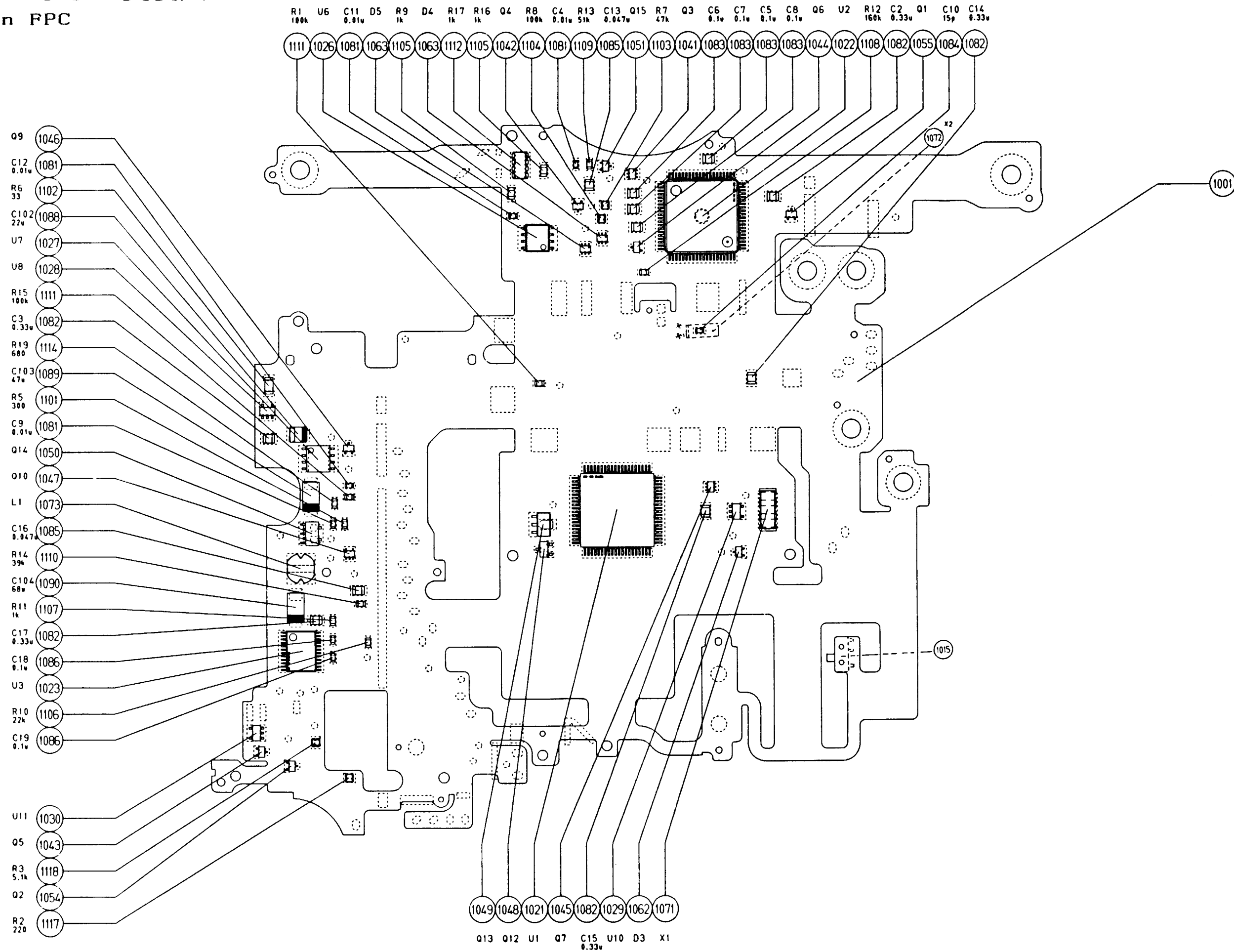
Remarks) Regarding the instruction for press contact, the side loaded with Main FPC parts is defined as "face" in the drawing.



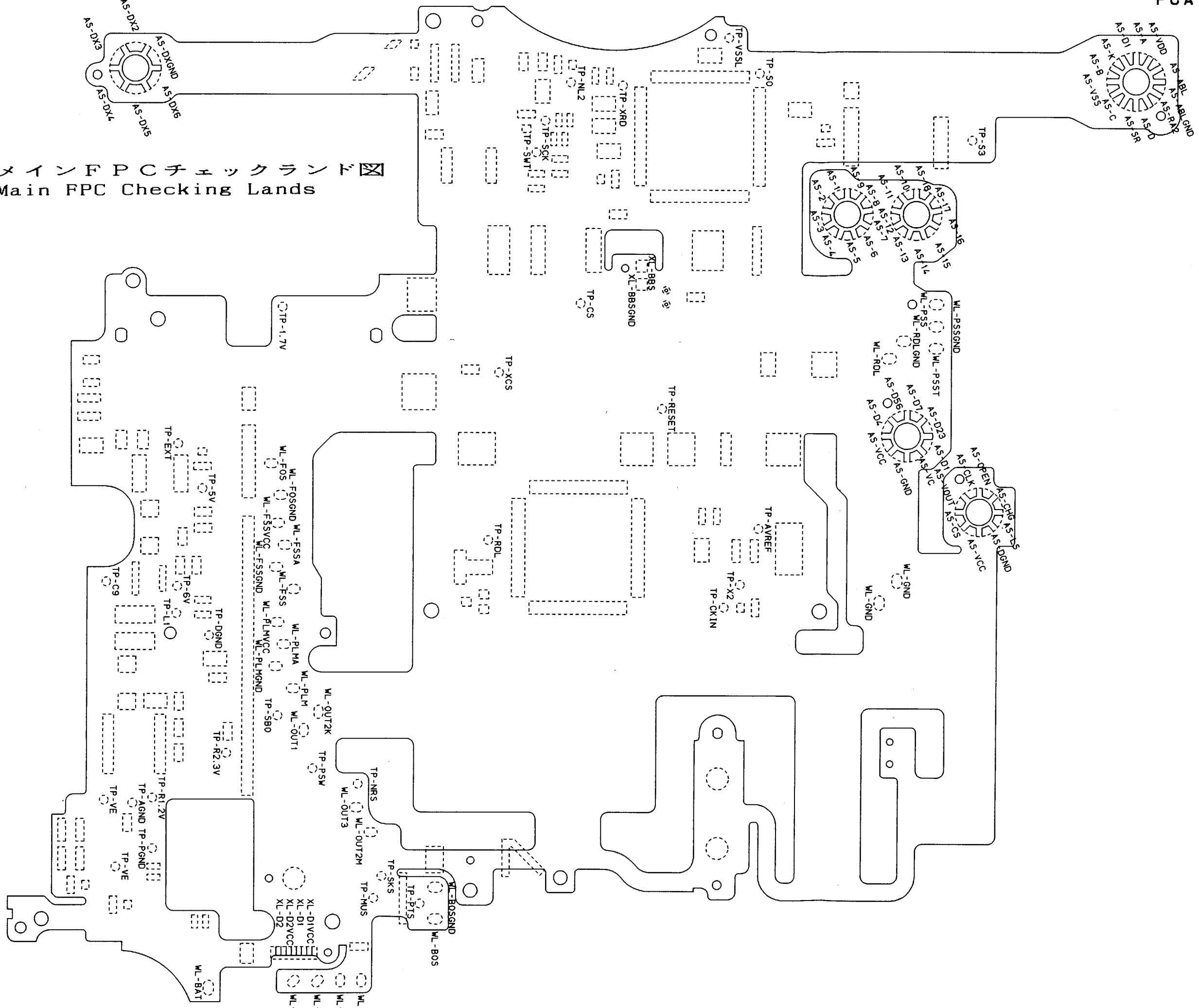
欠番 U9,U12,Q8,Q11,C101,R4,R18,R20

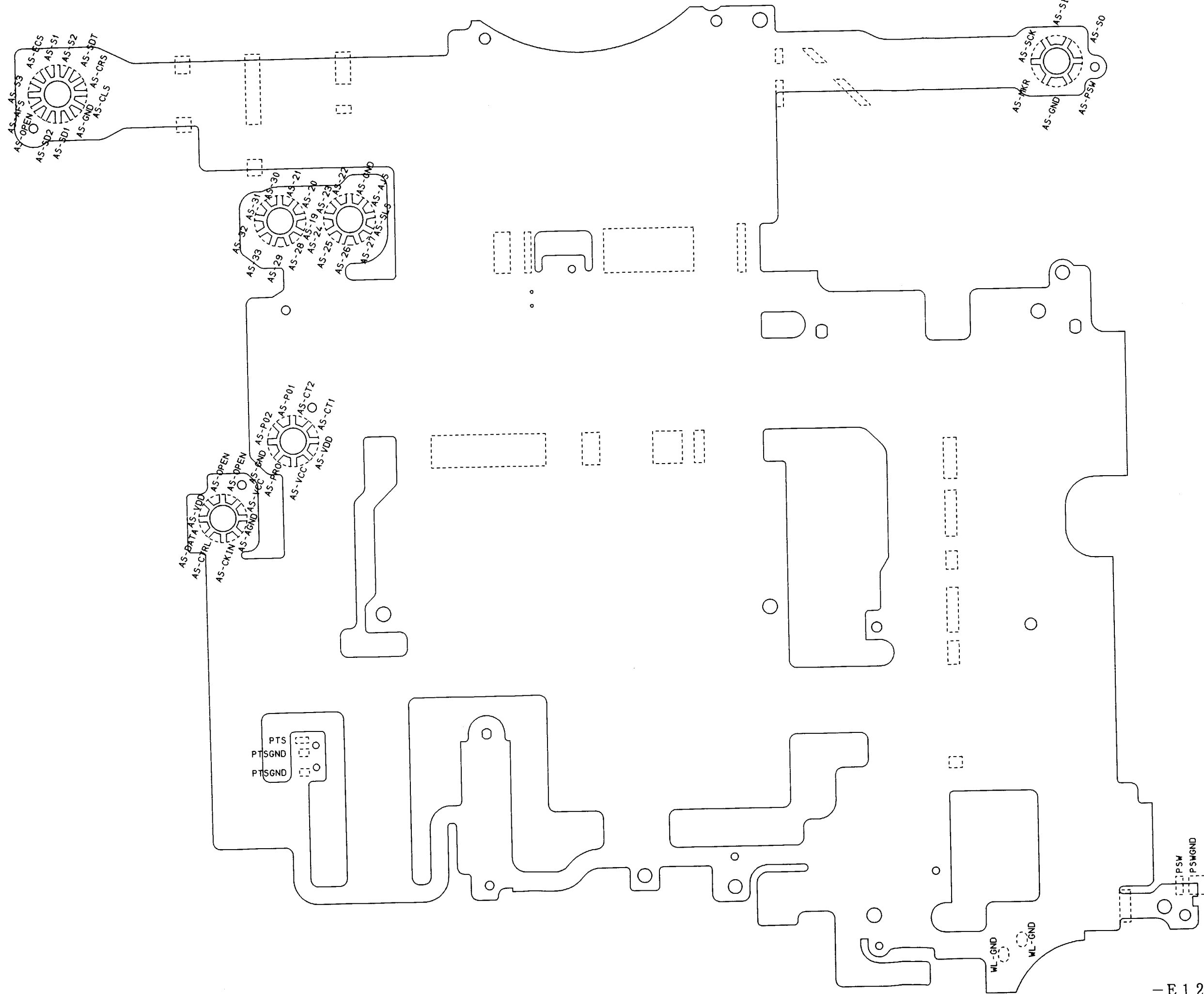
メインFPC実装図

Main FPC



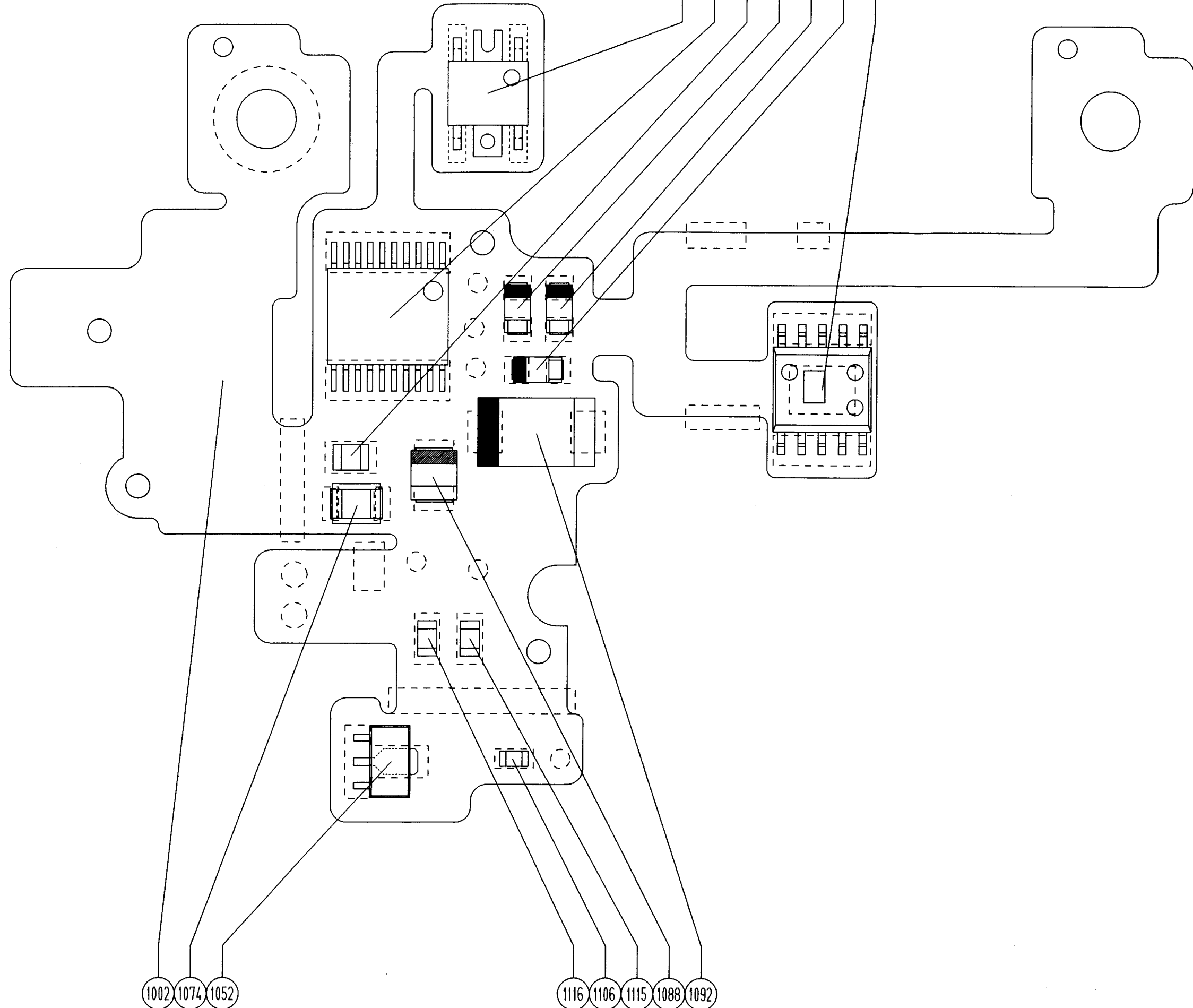
メインFPCチェックランド   
Main FPC Checking Lands





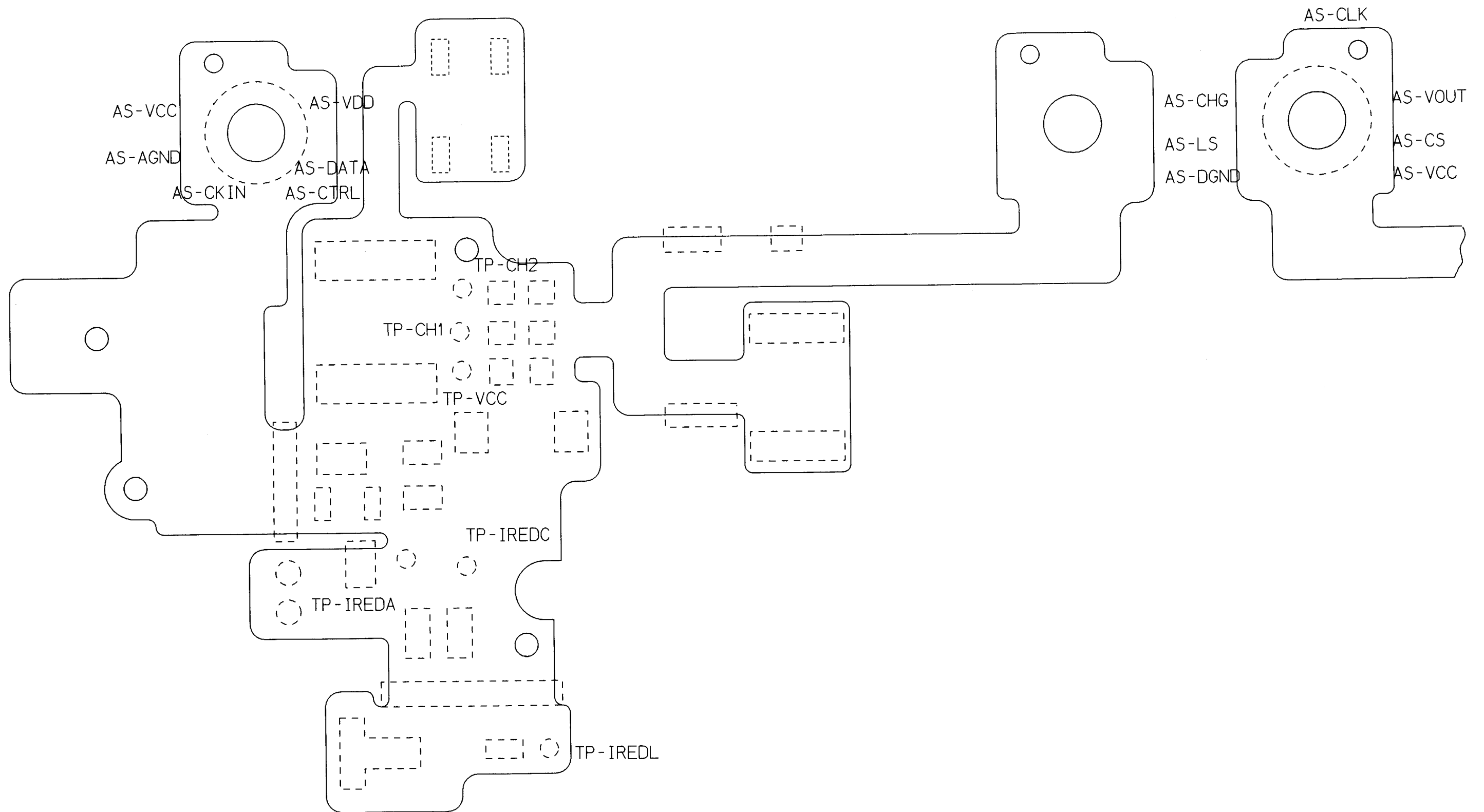
PSD U4 C20 C109 C105 C108 U5  
1X2.5 1R3579 0.058u 0.47u 6.8u 0.47u M52968

1065 1024 1087 1091 1093 1091 1025





AF FPC チェックランド☒  
 AF FPC Checking Lands



E<sup>2</sup> PROM DATA

Address, type of data		Data		Upper	Lower
0	(0H) A	Shutter release time			
1	(1H) A	Lens pulse counter	Film counter		
2	(2H) --	US version switch	Module analogue display (Fixed)		3
3	(3H) A	PA mode Present position	AP mode Present position of		
4	(4H) A	Counter mode Present position	+ / - mode Present position		
5	(5H) A		Keep selection of CF mode		
6	(6H) A	Keep previous month data	Keep previous day data		
7	(7H) A		Keep previous day year		
8	(8H) Fixed	Judgment of rewind time		8	2
9	(9H) Fixed	Shutter control		79	00
10	(AH) Fixe	Shutter control	Shutter control	23	30
11	(BH) Fixe	Shutter control	Shutter control	46	38
12	(CH) Fixe	Film supply control	Film supply control	80	3
13	(DH) Fixe	Data back control		40	37
14	(EH) ADJ.	AF correction value r	AF correction value r		
15	(FH) ---	AF level value (Fixed)	AF shift value (ADJ.)	44	
16	(10H) Fixe	Lens varrel control		24	00
17	(11H) Fixed	Lens varrel control		7	135
18	(12H) Fixed	Lens varrel control		00	251
19	(13H) Fixed	Lens varrel control		100	25
20	(14H) Fixed	Lens varrel control		56	52
21	(15H) Fixed	Lens varrel control		60	19
22	(16H) Fixed	Pre-release timer control	Shutter control	4	10
23	(17H) Fixed	Shutter control	Shutter control	46	46
24	(18H) ----	Shutter exposure control (ADJ.)	Shutter control (Fixed)		62
25	(19H) ADJ.	Lens barrel pulse shift (BF)			
26	(1AH) ----	Exposure control (ADJ.)	SB charger control (Fixed)		20
27	(1BH) ADJ.	BC level 2	BC level 1		
28	(1CH) ADJ.	BV shift 2	BV shift 1		

FCA 22001-R. 3339. A

Address, type of data		Data		Upper	Lower
29	(1DH) ADJ.	BV shift 4	BV shift 3		
30	(1EH) ADJ.	BV shift 6	BV shift 5		
31	(1FH) ADJ.	un-use	BV r	00	
32	(20H) Fixed	BL	AP control	36	82
33	(21H) Fixed	AE control	BL	00	78
34	(22H) Fixed	AE control	AE control	00	00
35	(23H) Fixed	AE control	AE control	00	00
36	(24H) Fixed	AE control	AE control	00	00
37	(25H) Fixed	Shutter control	shutter control	21	26
38	(26H) Fixed	FM control	Shutter control	82	23
39	(27H) Fixed	AP		00	00
40	(28H) Fixed	lens barrel control		00	00
41	(29H)	For production stage			
63	(3FH)	For production stage			

Notes for above tables:

1. Variation;

- . Adjustment value (ADJ.) : Date written during camera adjustment.
- . Fixed value (Fixed) : Data in which a fixed value is to be written.
- . Fixed and Adjustment (---) : Upper data and lower data are different variation.

. Ref1                      USA version              DATA 0  
                                  Other version              DATA 255

\* Both upper and lower value are decimal number.

Inspection standard for repair tools

[1] Inspection standard for repair ----- R 1

[2] Tools ----- T 1

---

Conditions for inspection

Normal temperature:  $25 \pm 5$  ° C (Relative humidity:  $65 \pm 20\%$ )

Power source:  $3.0 \pm 0.03V$ , 2A or more at  $0.5\Omega$  load

Loght source: Surface light source  $2.854^\circ$  K

K coefficient: 1.3

[1] Inspection standard

FCA 22001-R. 3339. A

	Item	Standard	Tools			
Photo graph	Frame size	Shorter side: 24 $\begin{matrix} +0.8\text{mm} \\ -0.3\text{mm} \end{matrix}$ Longer side: 36 $\begin{matrix} +0.8\text{mm} \\ -0.3\text{mm} \end{matrix}$ Shorter side of panorama frame: 13.3 $\begin{matrix} +1.5\text{mm} \\ -0.3\text{mm} \end{matrix}$	Slide calipers Scale Film			
	Frame-to-frame space	0.5 - 3.5mm				
	Frame position	<ul style="list-style-type: none"> <li>• Over 0.2mm between film perforation and frame.</li> <li>• Inclination of frame is less than 0.15mm.</li> </ul>				
	Light leakage	No light leakage is detected when 200,000 lux, min. (over 40,000 lux × hour) light is exposed from all directions.	Light leakage tester Film (Tri-X)			
AE accuracy	AE accuracy Make inspections five times and the results should meet the following conditions. ISO : 100		BP-511N DC regulated power supply (with 0.5 Ω)			
	Mode	Exposure value		Allowance	Exposure variation	Difference of each EV
	P	2 ~11 EV		$\pm 0.8$ EV	0.6 EV	Not to be inverted
		11~14 EV			0.8 EV	
		14~16 EV		$\pm 1.0$ EV	1.0 EV	
	A	F2.8~F5.6		$\pm 0.5$ EV	0.6 EV	Not to be inverted
		F6.7~F11			$\pm 0.8$ EV	
		F13 ~F22		$\pm 1.0$ EV		
	Allowance in conversion is obtained by adding $\pm 0.125$ EV to the above values.					
Shutter operation in bright condition	shutter should operate at LV16 with ISO 1600 film speed setting.					
Adjustment of tester	Settings: ISO 100, K=1.3, LV9 Set lens to Wide position, open shutter sector and then set camera to tester. Under above condition, set tester's switch to "CAL" and adjust tester with variable resistor so that indication will be +2.0EV.					

	Item	Standard	Tools																															
FM accuracy	Low brightness firing level			BF-511N DC regulated power supply (AE tester)																														
	Mode	Exposure value	Allowance		Exposure variation	Difference of each EV																												
	P	F2.8 ~ F22	±1.0 AV		Within 0.9AV	Not to be inverted																												
	Low brightness firing level		ISO 100BV EV9 ±1EV Check the level with flash ready-light in Viewfinder.																															
	PTS datermination accuracy		Make sure that PTS lamp lights up at BV 4.5V±1.0BV for all ISO film speed.																															
AP accuracy	AP distance pulse value and change-over point: Following values should be satisfied when camera and standard reflector are placed separating them by specified distance and checked by using personal computer.			Standard reflector Personal computer (PC-9800) Measuring tape																														
	<table border="1"> <thead> <tr> <th>Distance</th> <th>Reference pulse</th> <th>Allowance</th> </tr> </thead> <tbody> <tr> <td>0.4 mm</td> <td>749.4</td> <td>±6.0</td> </tr> <tr> <td>0.67 mm</td> <td>511.8</td> <td>±6.9</td> </tr> <tr> <td>1.0 mm</td> <td>400.6</td> <td>±7.3</td> </tr> <tr> <td>1.5 mm</td> <td>327.1</td> <td>±7.5</td> </tr> <tr> <td>2.0 mm</td> <td>290.9</td> <td>±7.7</td> </tr> <tr> <td>3.0 mm</td> <td>255.0</td> <td>±7.8</td> </tr> <tr> <td>4.0 mm</td> <td>237.1</td> <td>±7.9</td> </tr> <tr> <td>4.4 mm</td> <td>232.3</td> <td>±7.9</td> </tr> <tr> <td>5.0 mm</td> <td>226.5</td> <td>±7.9</td> </tr> </tbody> </table>				Distance	Reference pulse	Allowance	0.4 mm	749.4	±6.0	0.67 mm	511.8	±6.9	1.0 mm	400.6	±7.3	1.5 mm	327.1	±7.5	2.0 mm	290.9	±7.7	3.0 mm	255.0	±7.8	4.0 mm	237.1	±7.9	4.4 mm	232.3	±7.9	5.0 mm	226.5	±7.9
	Distance	Reference pulse	Allowance																															
	0.4 mm	749.4	±6.0																															
	0.67 mm	511.8	±6.9																															
	1.0 mm	400.6	±7.3																															
	1.5 mm	327.1	±7.5																															
	2.0 mm	290.9	±7.7																															
	3.0 mm	255.0	±7.8																															
	4.0 mm	237.1	±7.9																															
4.4 mm	232.3	±7.9																																
5.0 mm	226.5	±7.9																																
Distance-too-close warning		40±2cm Focus bracket indicator in viewfinder blinks.																																
Lens barrel Back focus	Lens barrel switching time and current	lens barrel position	Driving time	Driving current																														
		Lens retraction → Focusing standard	Within 1.5 sec.	Within 700 mA																														
		Lens retraction ← Focusing standard																																
	Position of the tip of lens barrel	10.7±2mm Measure lens barrel retracted length at focusing standard position																																
	Lens barrel stops abnormally	Under 2.0kg No abnormality is found when lens barrel is stopped forcefully with hand while operating.																																
Back focus	0 ±40μm at infinity position on film guide																																	
				Oscilloscope DC regulated power supply (with 0.5 Ω) Stopwatch  Collimator FFD adjustment focus stand																														

	項 目	判 定 基 準	摘 要							
Speed-light	Guide number	Guide number: $9.0 \pm 0.4EV$ Central area light quantity at 3m distance when shutter is released immediately before flash fires. (using a freash battery after the completion of film advance keeping charging time off)	Flash meter Lithium battery Measuring tape  Reference reflector Stopwatch							
	Recycling time	6 seconds or shorter after firing using a freash battery until the first 4 exposures.								
	Light distribution feature	Measure light at following point. Difference from center should be within $-1.0EV$ . <table border="1" data-bbox="646 779 1177 862"> <tr> <td>Top</td> <td>Bottom</td> <td>Right</td> <td>Left</td> </tr> <tr> <td>20°</td> <td>23°</td> <td>31°</td> <td>28°</td> </tr> </table> Unusual unevenness not found.		Top	Bottom	Right	Left	20°	23°	31°
	Top	Bottom	Right	Left						
20°	23°	31°	28°							
Color temperature	$5,800 \pm 300^{\circ} K$	Color temperature meter								
Viewfinder	Diopter	$-1 \pm 1$ dpt	Diopter telescope Viewfield chart Film scale							
	Viewfinder coverage	Regular size: $85 \pm 5\%$ Panorama size: 73-95% in all detections								
	Parallax	Image in the viewfinder does not protrude over the actual image at 3m distance.								
	Magnification	$0.5 \pm 0.05$								
Current consumption	Self-timer	$10 \pm 3$ seconds	Oscilloscope Stopwatch DC regulated power supply (with $0.5 \Omega$ ) Film							
	Battery check voltage	Warning level: $2.30 \pm 0.05V$ Shutter release lock: $2.15 \pm 0.05V$								
	Standby current	$20 \mu A$ or less when main switch is OFF.								
	shutter pre-release current	$35mA$ or less								
	In film advance/rewind operation	Film advance: $700mA$ or less Film rewind: $600mA$ or less								
	PTS lamp	Current consumption: $800mA$ or less								
	Clearance on external surface	$0.2mm$ or less								

## [2] TOOLS

## 1. Major measuring instruments

Tool No.	Name	Model
Non	Oscilloscope	Yokogawa DL-1200
Non	Slide calipers	
J15134	Torque driver	
J9001-5	DC regulated power supply	Metronics 526, 0-18V, 2A
J9006-6	Digital multimeter	Hioki 3200
J18190	Reference reflector	Oxford Gray No. 22 30x50cm
J19019	Collimator	Goko 24LT-2DTS f=193.5mm
J19036	Multi shutter tester	BF-511N OR BF-8000
J15291	F. P. D. adjustment focus stand	
J15134	Adjustment tool	
J18236	Adjustment FD	
J18006	Parallax adjustment board	
J18033	Focus glass for parallax adjustment	



作成承認印

配布許可印



**Nikon** 35Ti FCA 22001  
QUARTZ DATE

PARTS LIST (REVISED-1)

修理部品表(改訂一)

**Nikon** | NIKON CORPORATION  
Tokyo, Japan

© Copyright 1993  
ALL RIGHTS RESERVED  
無断転載を禁ず!!

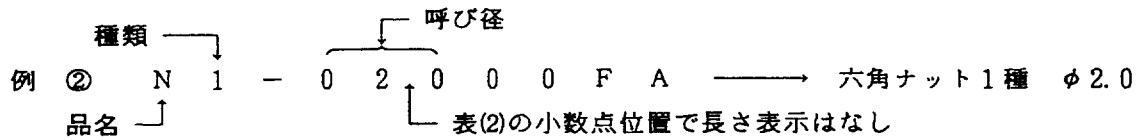
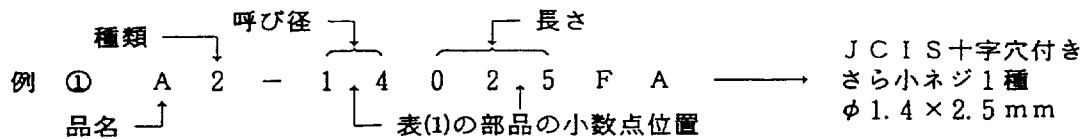
Feb. 10, 1994

Printed in Japan February

# 記号説明 MARKS IN THE PARTS LIST

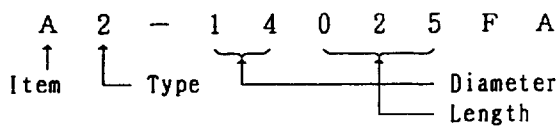
## (1) 機械標準品

下の表に示す機械標準品の部品番号は品名、種類、呼び径、長さを示しています。



## (1) Standard mechanical parts Reference Number in the Parts List

### A. Screw · Pin



### B. Nut · Washer · Snap ring

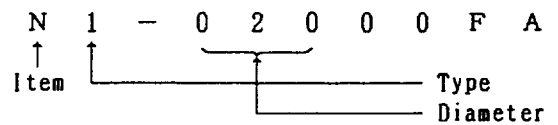


表 1

品名 Item	種類 Type	品名 Item	種類 Type
J C I S 十字穴付き小ねじ 1 種 Cross-point screw 1	なべ Pan 1	すりわり付き止めねじ Splitted set screw	丸先 Round point 1
	さら Countersunk 2		とがり先 Cone point 2
	丸さら Oval 3		くぼみ先 Half point 3
J C I S 十字穴付き小ねじ 3 種 Cross-point screw 3	なべ Pan 1	六角穴付き止めねじ Hexagon socket head set screw	とがり先 Cone point 2
	さら Countersunk 2		くぼみ先 Half point 3
	丸さら Oval 3		平先 Normal 4
十字穴付き小ねじ Cross-point screw	なべ Pan 1	六角穴付きボルト Hexagon socket head bolt	M 1 1
	さら Countersunk 2		M2, M2.6 2
	丸さら Oval 3	平行ピン Straight pin	ステンレス Stainless steel 5
	トラス Trus 4		テーパピン Taper pin
十字穴付きタップタイ タイトねじ B 型 Cross-point tapped screw B	なべ Pan 1	スプリングピン Spring cotter	一般用 Normal 3
	さら Countersunk 2		軽荷重用 Light 4
十字穴付きタップタイ タイトねじ B 型 1 種 Cross-point tapped screw B1	なべ Pan 1	表 2	
	さら Countersunk 2	品名 Item	種類 Type
	丸さら Oval 3	六角ナット Hexagon nut	K 1 種 Type 1 1 1 種 Type 3 3
十字穴付きタップタイ タイトねじ B 型 3 種 Cross-point tapped screw B3	なべ Pan 1	平座金 Washer	R 小形丸 1 みがき丸 2
	さら Countersunk 2	ばね座金 Spring washer	5
	丸さら Oval 3	E 型止め環 E-snap ring	S E 型 Type E 1 G 型 Type G 2 GS 型 Type GS 3

## (2) 販売区分欄 The term of sale colum

記号 Mark	説明	Explanation
○	Can be Supplied individually	単独部品として販売するもの
△	Not supplied individually but only as subassembly.	部組品でなければ販売しないもの
○△	Supplied either as part or subassembly	単独部品でも部組品でも販売するもの
×	Not considered as repair part	修理部品と考えないもの
※	Should be sent to the factory if the repair needed.	単体では交換できないので、組む場合に工場での加工が必要なもの
☒	Delivered as a product from the sales department (i. e., not supplied as repair part)	商品として販売店で販売しているもの (修理部品扱いはしない)

## (3) 備考欄 The remarks colum

F-601M	Part number used in common	共通部品番号
(Blue ×125mm)	Lead wire (color × length)	コードの色と長さ
53F-2013 (FM-780028)	Technical information ref. number (number in parenthesis; English edition)	製品技術資料No ( )内は英文
(2.1×3.8 ×0.07)	Washer (internal diameter × external diameter×thickness)	ワッシャー (内径×外径×厚さ)
(Black)	Black-finished parts	黒部品
(d=0.2)	Diameter of wire	線型=0.2
(t= 1)	Thickness	厚さ=1
Rev.	Revision	訂正
Add.	Addition	追加
Dis.	Discontinuation	廃止
OLD	Parts of the intial design	旧部品
◆	Limited part	R P 限定出庫部品
RP-9001	Repair part information No.	R P 情報No.
R1... D1.... W1... C1... Q1.... P1...	Abbreviation for electronic part	電気部品記号
TA-0003	Number (TA-****) are order numbers of adhesive tape. (For the order of adhesive tape, the number 1K***-*** is not use).	接着テープ要求部番 (1K***-*** では部品要求できません。)
W-0056BE	Number (W-0056BE) are order numbers of Lead wire. (For the order of Lead wire, the number 1K***-*** is not use).	リードワイヤ要求部番 (1S***-*** では部品要求できません。)

## \* VERSATILE PART

## \* 既出部品

A part maked with this pentagonal symblo is used commonly in the arcitecture of other products. That is called "VERSATILE PART". Note that every part, bearing new part number of eleven places, will turn into a VERSATILE PART when it is used in the design of future product.

テープ類TA設定部品一覧表

TAPES AND FILMS WITH PREFIX ALPHABETS TA Dec. 17, 1991

部品 No. Part No.	名称 Name of part	色 Color	厚さ Thickness (t=mm)	幅 Widths (mm)	長さ Length (m)	要求単位 Q'ty for a unit for ordering
TA-0001	ポリエステルフィルム Tape	透明 Transparent	0.025	10	30	1巻 1 roll
TA-0002	ポリエステルフィルム Tape	透明 Transparent	0.025	20	30	1巻 1 roll
TA-0003	両面接着テープ Both sided adhesive tape	白 White	0.16	10	2	1巻 1 roll
TA-0004	両面接着テープ Both sided adhesive tape	黒 Black	0.14	12	50	1巻 1 roll
TA-0005	ポリエステルフィルム Tape	黄 Yellow	0.06	19	66	1巻 1 roll
TA-0006S	アセテートクロス(シート) Tape (200x120/sheet)	黒 Black	0.23	6	200 (mm)	1set (20pcs)
TA-0007	銅箔導電性 Tape, copper foil	銅箔 Copper foil	0.11	4	6	1巻 1 roll
TA-0008	ポリエステルフィルム Tape	透明 Transparent	0.055	30	30	1巻 1 roll
TA-0009	カプトンフィルム Tape	琥珀 Amber	0.07	6	30	1巻 1 roll
TA-0010	両面接着テープ Both sided adhesive tape	乳白色 Opal	0.16	15	36	1巻 1 roll
TA-0011	ポリエステルフィルム Tape	黒 Black	0.06	10	30	1巻 1 roll
TA-0012	ポリエステルフィルム Tape	透明 Transparent	0.025	6	30	1巻 1 roll
TA-0013	アセテートクロス(シート) Tape (200x120/sheet)	黒 Black	0.23	20	200 (mm)	1set (20pcs)

リードワイヤー—覽表

LEAD WIRE LIST

DEC. 17, 1991

部品 No Part No.	色 Color	外形 Diameter (outer tube)	導体サイズ Pcs. / Diameter (lead wire)	部品 No Part No.	色 Color	外形 Diameter (outer tube)	導体サイズ Pcs. / Diameter (lead wire)
W-0045BN	Brown	0.45mm	7×0.05mm	W-0108BK	Black	1.08mm	7×0.16mm
W-0045RE	Red	-ditto-	-ditto-	W-0108BN	Brown	-ditto-	-ditto-
W-0045OR	Orange	-ditto-	-ditto-	W-0108RE	Red	-ditto-	-ditto-
W-0045GN	Green	-ditto-	-ditto-	W-0108OR	Orange	-ditto-	-ditto-
W-0045BE	Blue	-ditto-	-ditto-	W-0108YE	Yellow	-ditto-	-ditto-
W-0045PU	Purple	-ditto-	-ditto-	W-0108GN	Green	-ditto-	-ditto-
				W-0108BE	Blue	-ditto-	-ditto-
W-0056BK	Black	0.56mm	7×0.08mm	W-0108PU	Purple	-ditto-	-ditto-
W-0056BN	Brown	-ditto-	-ditto-	W-0108GY	Gray	-ditto-	-ditto-
W-0056RE	Red	-ditto-	-ditto-	W-0108WH	White	-ditto-	-ditto-
W-0056OR	Orange	-ditto-	-ditto-				
W-0056YE	Yellow	-ditto-	-ditto-	W-0120BK	Black	1.2 mm	7×0.18mm
W-0056GN	Green	-ditto-	-ditto-	W-0120BN	Brown	-ditto-	-ditto-
W-0056BE	Blue	-ditto-	-ditto-	W-0120RE	Red	-ditto-	-ditto-
W-0056PU	Purple	-ditto-	-ditto-	W-0120OR	Orange	-ditto-	-ditto-
W-0056GY	Gray	-ditto-	-ditto-	W-0120YE	Yellow	-ditto-	-ditto-
W-0056WH	White	-ditto-	-ditto-	W-0120GN	Green	-ditto-	-ditto-
W-0056PK	Pink	-ditto-	-ditto-	W-0120BE	Blue	-ditto-	-ditto-
				W-0120PU	Purple	-ditto-	-ditto-
				W-0120GY	Gray	-ditto-	-ditto-
				W-0120WH	White	-ditto-	-ditto-
W-0080BK	Black	0.80mm	7×0.12mm				
W-0080BN	Brown	-ditto-	-ditto-	W-0150BK	Black	1.5 mm	40×0.08mm
W-0080RE	Red	-ditto-	-ditto-	W-0150BN	Brown	-ditto-	-ditto-
W-0080OR	Orange	-ditto-	-ditto-	W-0150RE	Red	-ditto-	-ditto-
W-0080YE	Yellow	-ditto-	-ditto-	W-0150OR	Orange	-ditto-	-ditto-
W-0080GN	Green	-ditto-	-ditto-	W-0150YE	Yellow	-ditto-	-ditto-
W-0080BE	Blue	-ditto-	-ditto-	W-0150GN	Green	-ditto-	-ditto-
W-0080PU	Purple	-ditto-	-ditto-	W-0150BE	Blue	-ditto-	-ditto-
W-0080GY	Gray	-ditto-	-ditto-	W-0150PU	Purple	-ditto-	-ditto-
W-0080WH	White	-ditto-	-ditto-	W-0150GY	Gray	-ditto-	-ditto-
W-0080LB	Light blue	-ditto-	-ditto-	W-0150WH	White	-ditto-	-ditto-
1 roll = 20m							

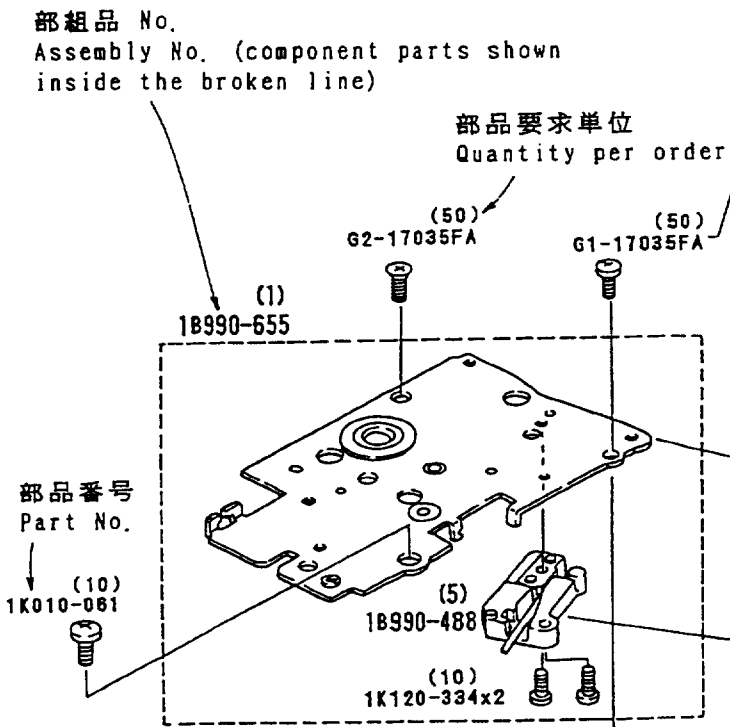
## 収縮チューブ一覧表

## Thermal construction tube list

Dec. 17, 1991

部 品 No. Part No.	名 称 Name of part	直 径 Diameter ( $\phi$ )	長 さ Length (m)	備 考 Remarks
TU-0001	収縮チューブ Thermal construction tube	1.0 mm	1	RP-8925
TU-0002	収縮チューブ Thermal construction tube	2.0 mm	1	RP-8925
TU-0003	収縮チューブ Thermal construction tube	3.0 mm	1	RP-8925
TU-0004	収縮チューブ Thermal construction tube	4.0 mm	1	RP-8925

展開図の見方 How to use explosion drawings

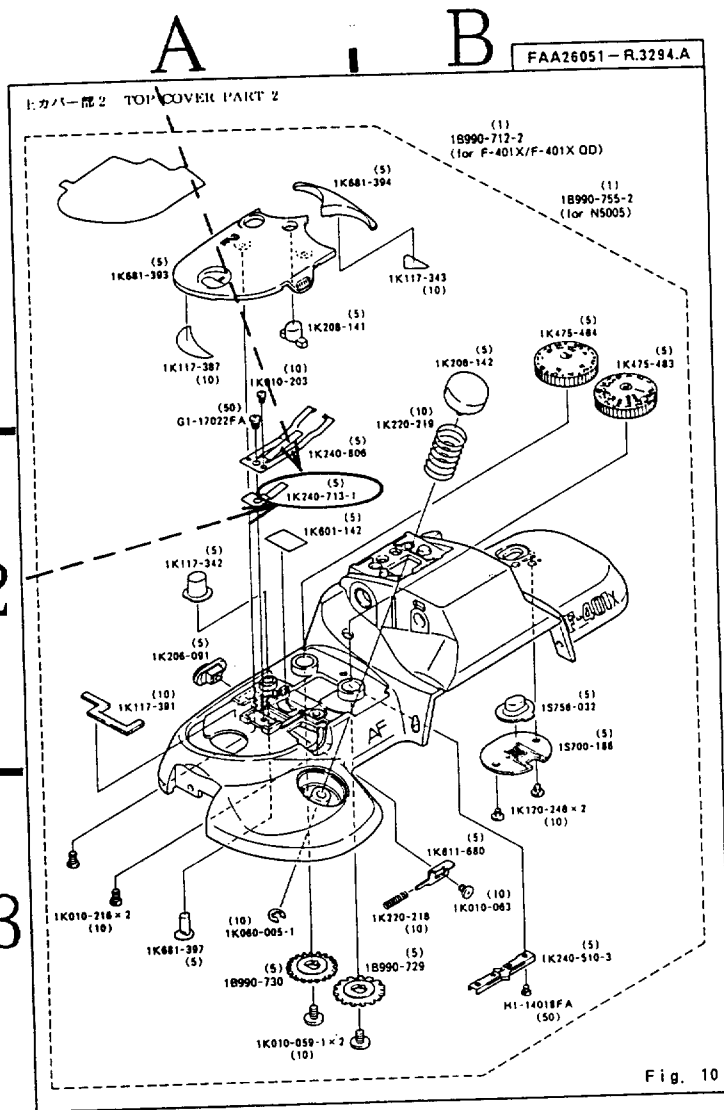


項目 Part Classification	販売区分 Term of Supply	記号 Mark
破線外で部番の入っているもの Part with Part No., shown outside the broken line	単部品で要求できるもの Available as individual part	○
破線外で部番のないもの Part without Part No., shown outside the broken line	修理部品と考えないもの Not available as repair part	×
破線内で部番のないもの Part without Part No., shown inside the broken line.	部組品でなければ要求できないもの Available only as assembly.	△
破線内で部番の入っているもの Part with Part No., shown inside the broken line	単部品でも部組品でも要求できるもの Available as assembly or individually	○△

# 展開図中の部品位置を確認する手順 HOW TO FIND THE PART WITH PART NUMBER IN THE DRAWING

## 部品表 Parts List

部品番号 Part No.	補助番号 Ckt No.	名称 Name	1台分 個数 Qty Per Unit	部組品番号 Assembly	参照 図番 Fig No	販売区分 Class. of Salabil- ity	備考 Remarks	要求単位 Order Unit Qty
*1K240-516	573	シュー座板バネ Accessory shoe spring	1	1B990-712-2	9 A1	○△	F-401S F-601	5
*1K240-713-1	527	ロックバネB Lock spring B	1	1B990-712-2	10 A2	○△		5



① 部品表の参照図番欄のコードを見る。

Please refer to the letters written in the Fig. No. Column.

② 9, 10等の数字は図面番号を示す。

The numbers 9 and 10 mean the Fig. number.

③ A1, A2等のアルファベットと数字の組み合わせは、図面中の部品の位置を示す。

例 A, B... は横方向の位置を示す。  
1, 2... は縦方向の位置を示す。

※ よって **1K240-713-1** はAと2が示す範囲内にある。

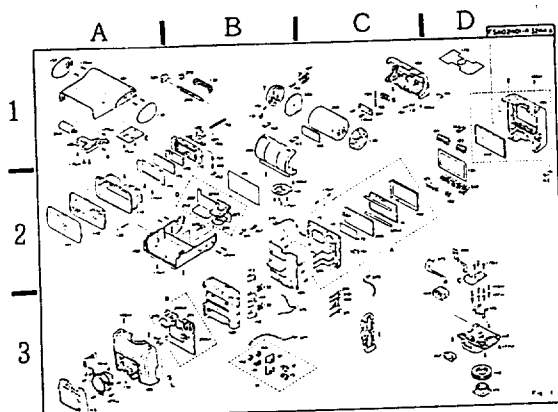
The combinations of alphabets and numbers, A1 and A2, point out the place of relevant parts in the drawing.

Example)

Alphabets like A and B point out the places along the horizontal direction.

Numbers like 1 and 2 point out the places along the vertical direction.

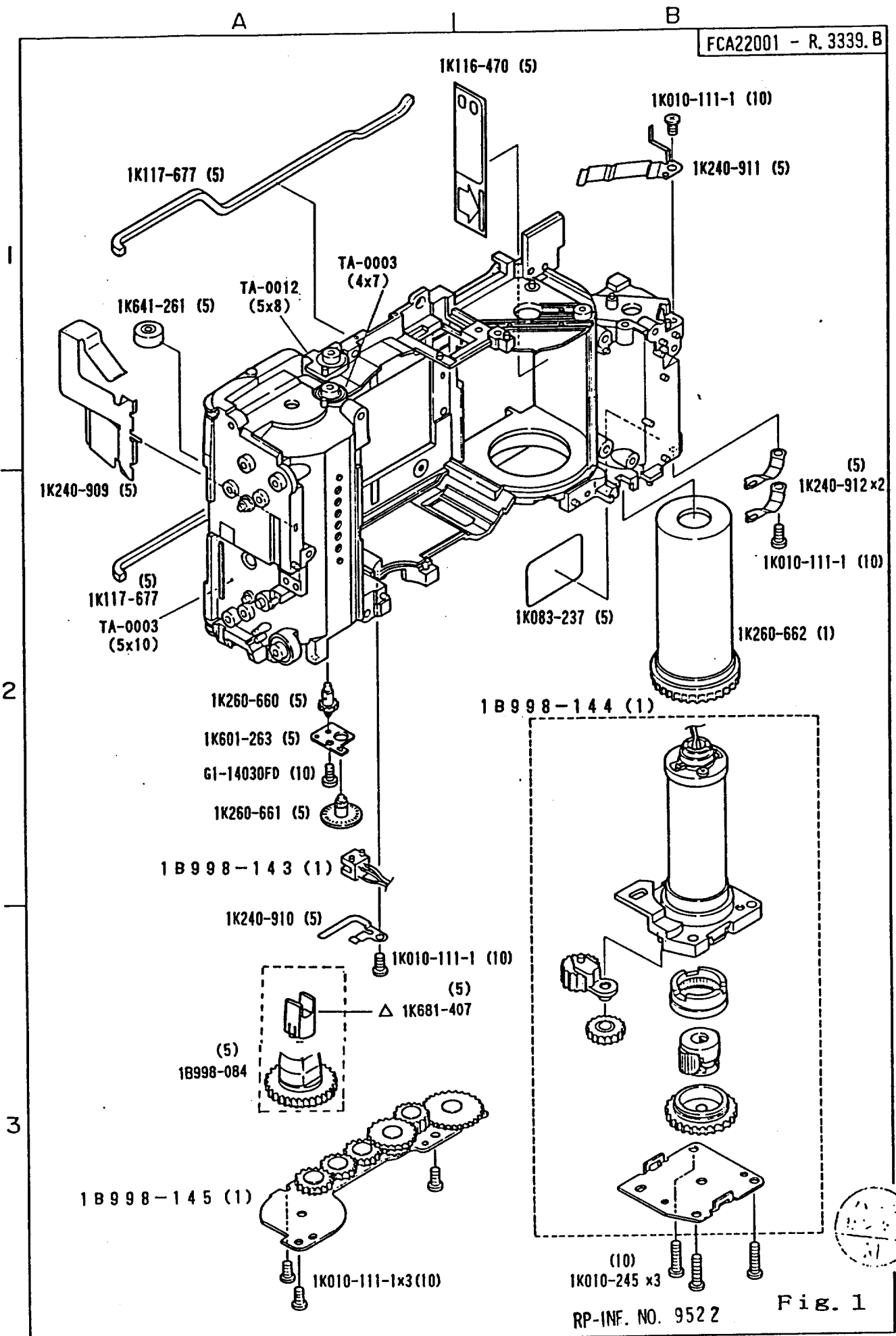
※ It means that the part No. **1K240-713-1** is existing in the area where A and 2 are crossing.



④ 例外 -- ビス, ワッシャー等は Fig No. のみ記載する。

As for screws and washers and the like, no code number showing existing place is discribed in the Fig. No. Column, but only the relevant drawing number (Fig. No.) is stated.





1

2

3

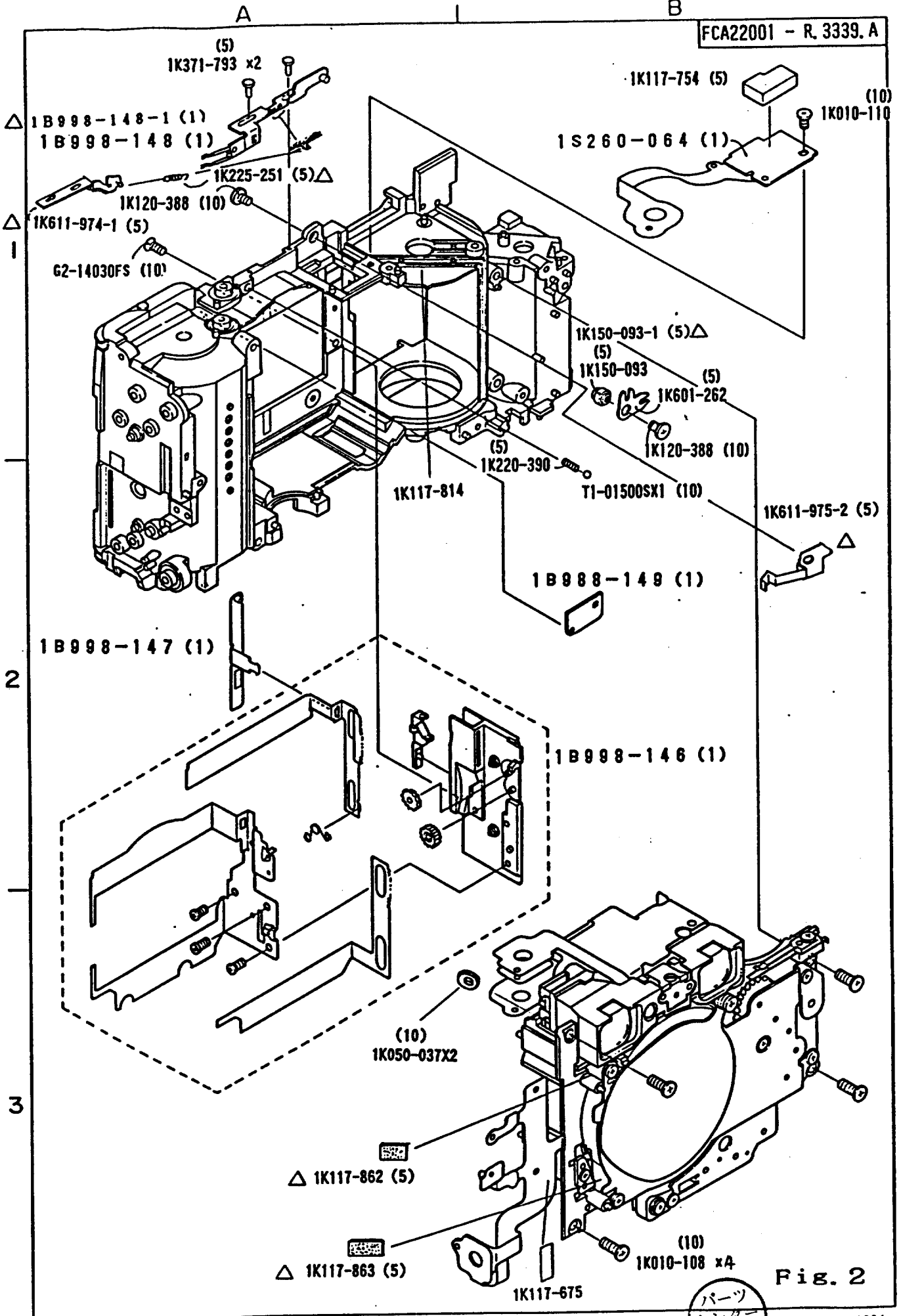


Fig. 2



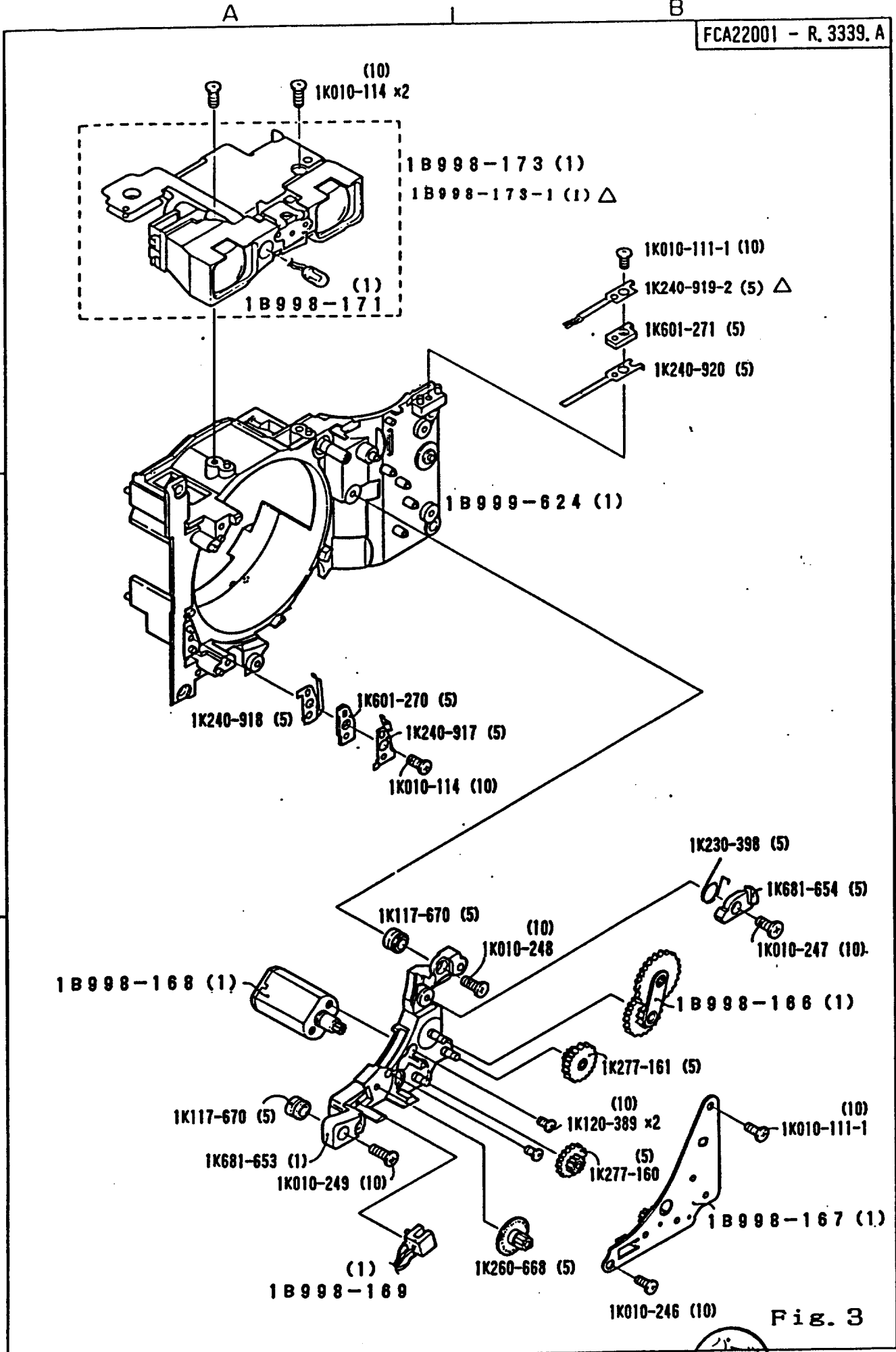


Fig. 3

Change page (差し替え) Δ x 2



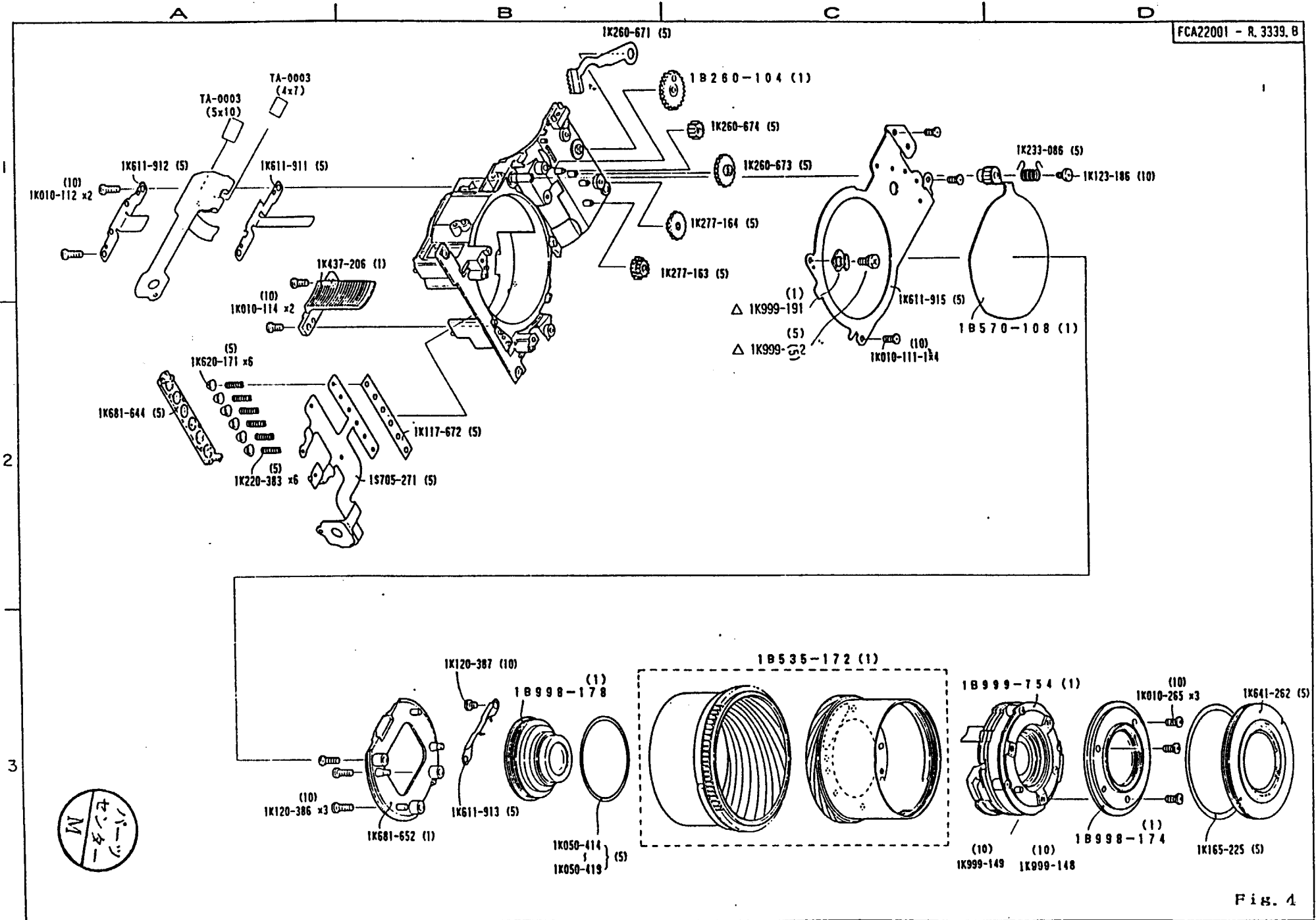


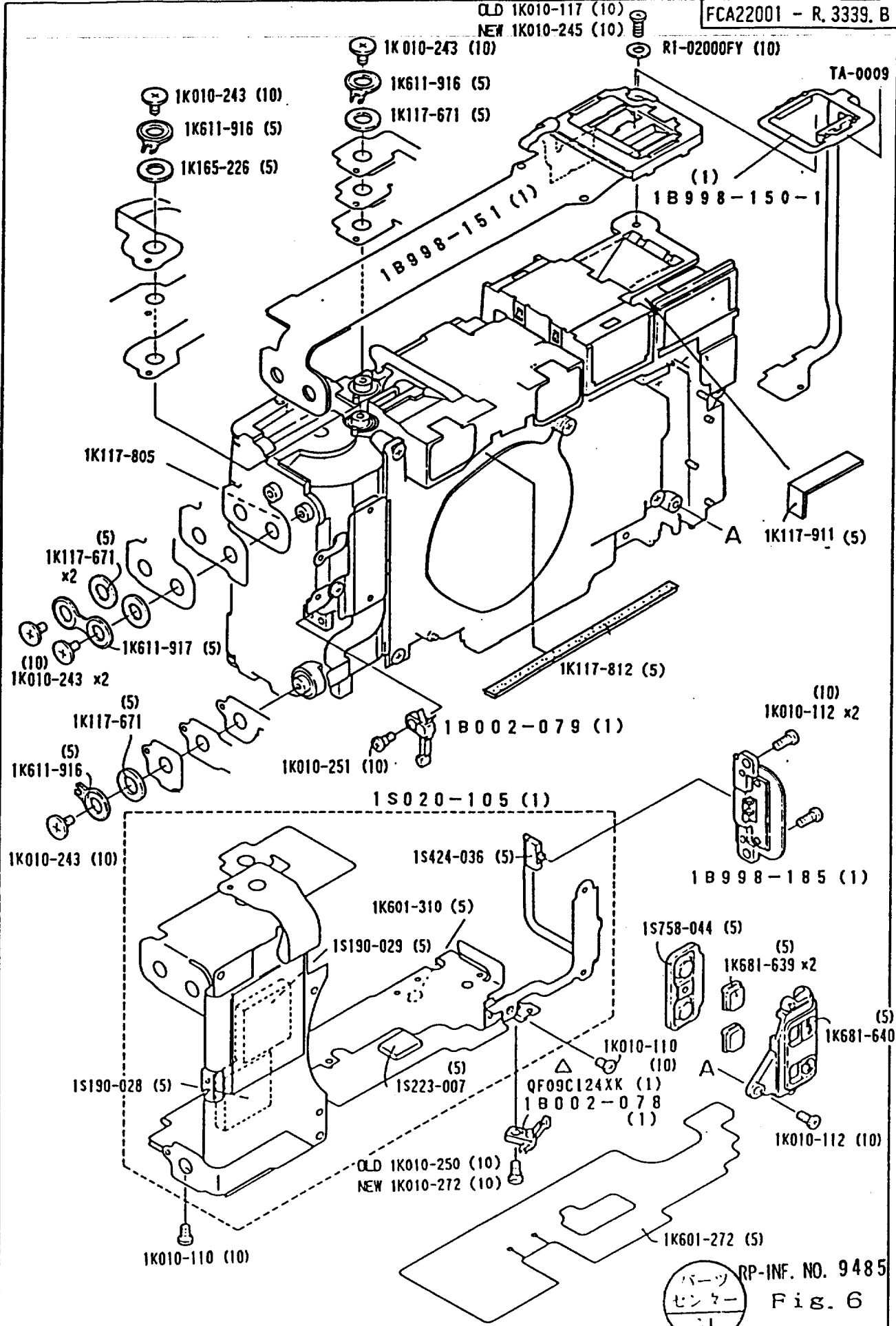
Fig. 4

A

B

FCA22001 - R. 3339. B

OLD 1K010-117 (10)  
NEW 1K010-245 (10)



2

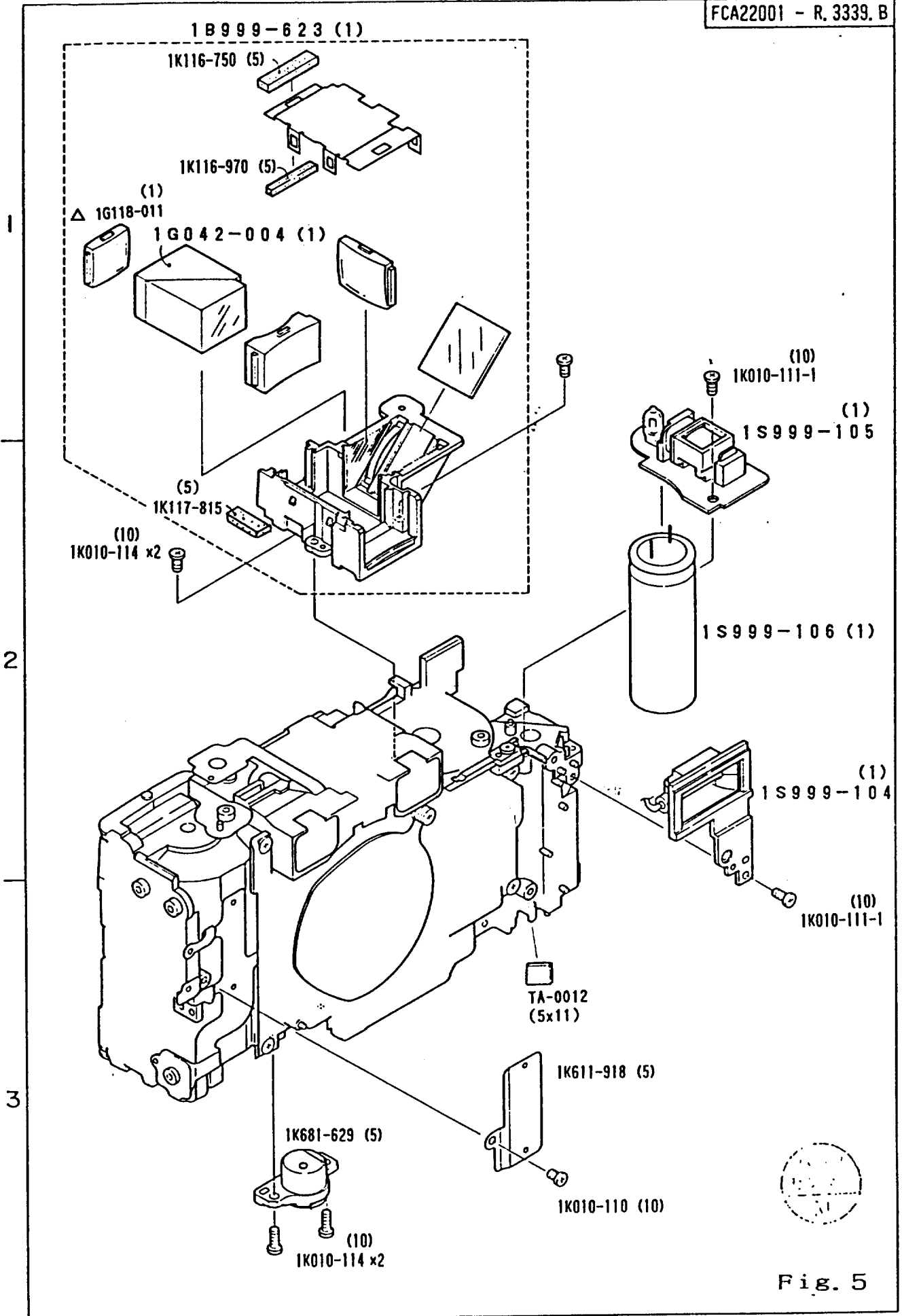
3



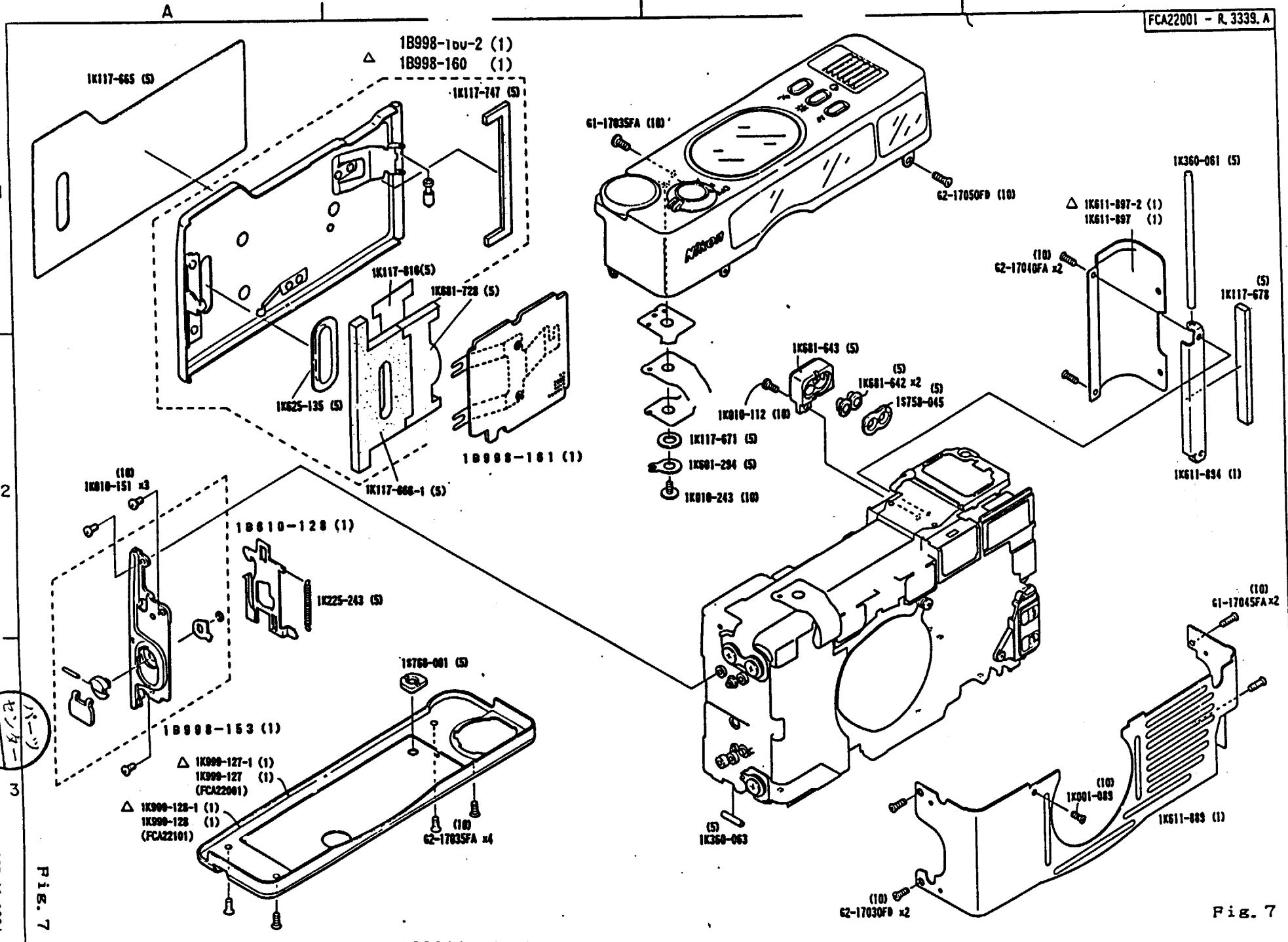
RP-INF. NO. 9485  
Fig. 6

A

B



Change page (差し替え) Δ×4



ハーブ  
センター  
M1

OCT.11.1994

Fig. 7

Fig. 7

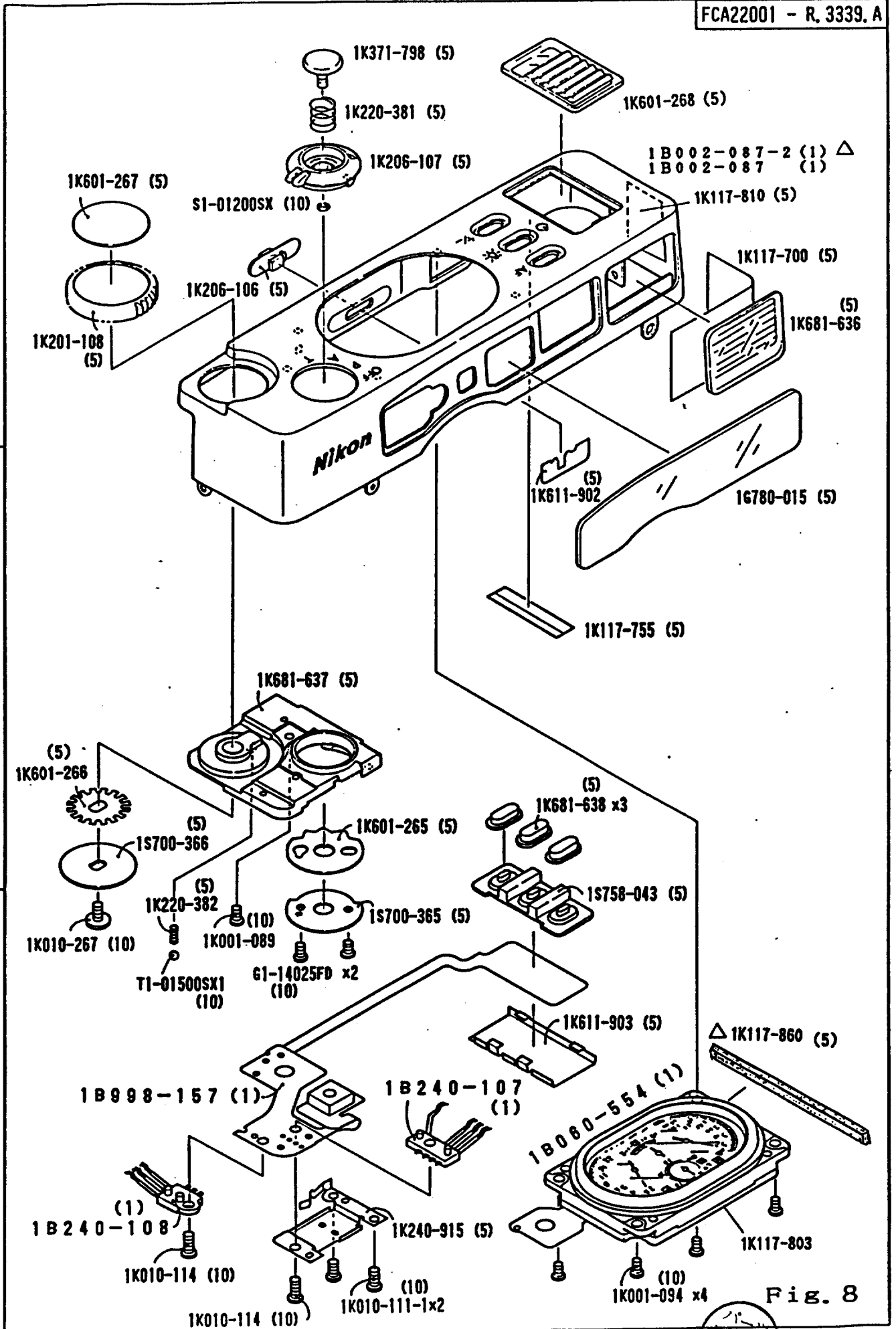


Fig. 8



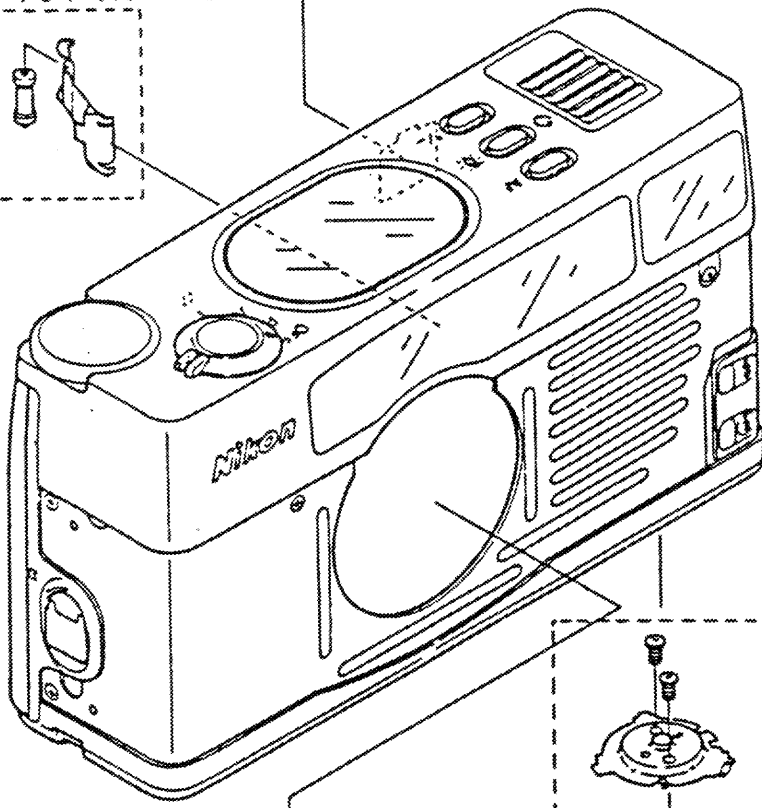
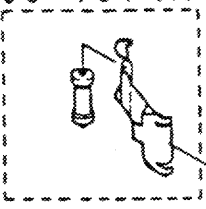
A

B

FCA22001 - R. 3339. A

~~△ 1B998-165 (1)~~

1B998-164 (1)



1B999-627-1 (1)  
 1B998-163-1 (1)

△ 1K601-258-1 (1)  
 1K601-258 (1)

1K117-663 (5)

1K117-807 (5)

1K117-664 (5)

1K641-260 (5)

1K087-418 (5)

Fig. 9

部品表 Parts List

FCA22001-R. 3339. B

部品番号 Part No.	補助番号 Ckt No.	名称 Name	1台分 個数 Q'ty Per Unit	部組品番号 Assembly	参照 図番 Fig. No.	販売区分 Class. of Salabil- ity	備考 Remarks	要求単位 Order Unit Q'ty
△ 1G118-011	G14	接眼レンズ Eyepiece lens	1	1B999-623	5 A1	○△	RP-9565 RP-9514. RP-9557	1
1G780-015	G10	FD窓 FD Window	1		8 B2	○		5
△ *13-1頁の部品番号1G118-011はこの頁に移しましたので13-1頁は抜いて下さい。 *Parts No 1G118-011 is moved to this page No from page No 13-1. Please remove the page No 13-1.							RP-9565 RP-9557	



部品表 Parts List

FCA22001-R. 3339. B

部品番号 Part No.	補助番号 Ckt No.	名称 Name	1台分 個数 Qty Per Unit	部組品番号 Assembly	参照 図番 Fig. No.	販売区分 Class. of Salabil- ity	備考 Remarks	要求単位 Order Unit Qty	
1K001-089	840	Screw	2		7.8	○		10	
1K001-094	886	Screw	4		8 B3	○		10	
* 1K010-108	801	Screw	4		2 B3	○	FEA50001 FCA13001	10	
* 1K010-110	816	Screw	4		2.5 6	○	FCA13001 FCA09002	10	
1K010-111-1	814	Screw	16		1.3 4.5 8	○		10	
* 1K010-112	813	Screw	6		4.6 7	○	FCA18001 FCA13001	10	
* 1K010-114	812	Screw	11		3.4 5.8	○	FCA18001 FCA13001	10	
△ 1K010-117	809	Screw	1		6 B1	○	RP-9565 RP-9413	10	
* 1K010-151	815	Screw	3		7 A2	○	FCA09002	10	
1K010-243	804	Screw	6		6.7	○		10	
1K010-245	811	Screw	4		1.6	○		10	
1K010-246	841	Shoulder screw	1		3 B3	○		10	
1K010-247	842	Shoulder screw	1		3 B3	○		10	
1K010-248	843	Shoulder screw	1		3 B3	○		10	
1K010-249	844	Shoulder screw	1		3 A3	○		10	
OLD △ NEW	1K010-250	Shoulder screw	1		6	○	RP-9565 RP-9557	10	
	1K010-272				A3				
	1K010-251	Shoulder screw	1		6 A2	○		10	
△	* 3頁の1K010-272は本頁に移しました。 * Parts No 1K010-272 is moved to this page No from page No 3.							RP-9565 RP-9557	

Change page (差し替え) △×3

AUG. ' 5. 1995



部品表 Parts List

FCA22001-R. 3339. B

部品番号 Part No.	補助番号 Ckt No.	名称 Name	1台分 個数 Qty Per Unit	部組品番号 Assembly	参照 図番 Fig. No.	販売区分 Class. of Salabil- ity	備考 Remarks	要求単位 Order Unit Qty
1K010-265	817	Screw	3		4 D3	○		10
1K010-267	807	Screw	1		8 A3	○		10
△ * 1K050-037	—	ワッシャー (t=0.2) Adjust washer	2		2 B3	○	RP-9565 RP-9413 94F-2002	10
1K050-414	612A	B・f調整環 (t=0.05) Adjust ring . BF	1		4 B3	○		5
1K050-415	612B	B・f調整環 (t=0.06) Adjust ring . BF	1		4 B3	○		5
1K050-416	612C	B・f調整環 (t=0.07) Adjust ring . BF	1		4 B3	○		5
1K050-417	612D	B・f調整環 (t=0.08) Adjust ring . BF	1		4 B3	○		5
1K050-418	612E	B・f調整環 (t=0.09) Adjust ring . BF	1		4 B3	○		5
1K050-419	612F	B・f調整環 (t=0.10) Adjust ring . BF	1		4 B3	○		5
1K083-237	196	電池シール Battery seal	1		1 B2	○		5
1K087-418	616	銘板 Name plate	1		9 B3	○		5
* 1K116-394	194	上カバーモルト	1		8 B3	○	RP-9454 製技94F-2015参照	5
1K117-860		Sponge. Upper cover						
* 1K116-470	195	フィルムガイドシール Seal . Film guide	1		1 B1	○	FCA09002 FCA13001	5
* 1K116-970	527	接眼モルト Sponge . Eyepiece	1	1B999-623	5 A1	○△	FRW52801	5
1K117-663	110	革 (右側) Leatherette . SB side	1		9 B2	○		5
1K117-664	111	革 (左側) Leatherette .Release button side	1		9 A3	○		5
							△ * 本頁の1K010-272は2頁に移しました。 * Parts No 1K010-272 is moved to 2 page.	RP-9565 RP-9557

Change page (差し替え) △×2

AUG. 5. 1995



部品表 Parts List

FCA22001-R. 3339. B

部品番号 Part No.	補助番号 Ckt No.	名称 Name	1台分 個数 Q'ty Per Unit	部組品番号 Assembly	参照 図番 Fig. No.	販売区分 Class. of Salabil- ity	備考 Remarks	要求単位 Order Unit Q'ty
1K117-665	121	裏蓋革 Leatherette , Camera back	1		7 A1	○		5
△ 1K117-666	127	バトロ- ネモルト Spnge . Patorone	1		7 B1	○	RP-9565 RP-9413	5
1K117-670	650	ゴムブッシュ Rubber bush	2		3 A3	○		5
1K117-671	702	圧接ゴム Rubber , Press contact	5		6.7	○		5
1K117-672	751	両面テープ . DX Double sided adhesive tape . DX	1		4 B2	○		5
1K117-674	754	両面テープ 1 4×7 Double sided adhesive tape 1	6		4 A1	×	RP-9454 TA-0003	1 roll
1K117-675	755	両面テープ 2 5×10 Double sided adhesive tape 2	4		4 A1	×	RP-9454 TA-0003	1 roll
1K117-677	191	裏蓋モルト1 Sponge 1 , Back door	2		1 A1	○		5
1K117-678	192	裏蓋モルト2 Sponge 2 , Back door	1		7 D2	○		5
1K117-700	305	ストロボシート Sheet , SB	1		8 B1	○		5
1K117-747	133	裏蓋モルト4 Sponge 4 , Back door	1	1B998-160	7 B1	○△		5
1K117-750	525	目隠しモルト Shield sponge , Finder	1	1B999-623	5 A1	○△		5
1K117-754	172	DB モルト DB sponge	1		2 B1	○		5
1K117-755	147	横カバー目隠しシート Side cover shield sheet	1		8 B2	○		5
△ 1K117-801	759	圧接絶縁テープ . AE圧接 5×8 Insulation tape.Press contact AE	1		1 A1	×	RP-9565 RP-9413 TA-0012	1 roll
△ 1K117-802	760	Mリード線固定テープ 5×11 Fix tape . Lead wire M	1		5 B2	×	RP-9565 RP-9557 RP-9413 TA-0012	1 roll

Change page (差し替え) △×3

AUG. 5.1995



部品表 Parts List

FCA22001-R. 3339. B

部品番号 Part No.	補助番号 Ckt No.	名称 Name	1台分 個数 Q'ty Per Unit	部組品番号 Assembly	参照 図番 Fig. No.	販売区分 Class. of Salabil- ity	備考 Remarks	要求単位 Order Unit Q'ty
△ 1K117-803	762	針モジュールFPC 固定テープ 5×20 Fix tape . needle module FPC	1	1B060-554	8 B3	×	RP-9565 RP-9413 TA-0012	1 roll
△ 1K117-804	529	絶縁テープ.LED-FPC Insulation tape.LED FPC	1		6 B1	×	RP-9565 RP-9413 TA-0009	1 roll
△ 1K117-805	763	電池室目隠しテープ 10×10 Shield tape . Battery chamber	1		6 A2	×	RP-9565 RP-9413 TA-0013	1 set (20pcs)
1K117-807	764	両面テープ (前カバー部) (Front cover) Double sided adhesive tape .	1		9 A3	○		5
△ 1K117-810	765	トリガー飛び防止テープ Tape.Preventing trigger skipping	1		8 B1	○	RP-9565 RP-9413	5
△ 1K117-812	138	ゴミ付着防止テ- プ . G10 62×1.2 ×t=1.2 Tape . Preventing dust adhering	1		6 B1	○	RP-9565 RP-9413	5
△ 1K117-814	148	漏光防止テープ 8×8 Light baffle tape	1		2 A1	○	RP-9565 RP-9413	5
△ 1K117-815	183	漏光防止テープ . DB Tape . Light proof for DB	1		5 A2	○	RP-9565 RP-9413	5
△ 1K117-816	142	両面テープ Double sided adhesive tape	1		7 B2	○	RP-9565 RP-9413	5
1K117-862	691	遮光モルト 2 5.5X4 Light tight sponge 2	1		2 B3	○	RP-9454	5
1K117-863	692	遮光モルト 3 7.5X4 Light tight sponge 3	1		2 B3	○	RP-9454	5
1K117-911	306	絶縁シート Insulating sheet	1		6 B1	○	RP-9454	5
1K120-386	870	Screw	3		4 B3	○		1 0
1K120-387	876	Screw	1		4 B3	○		1 0
△ 1K120-388	883	Screw	2		2	○	RP-9565 RP-9557	1 0
1K120-389	887	Screw	2		3 B3	○		1 0
1K123-186	884	Screw	1		4 D1	○		1 0

Change page (差し替え) △×9

AUG. 5. 1995



部品表 Parts List

FCA22001-R. 3339. B

OLD  
NEW

部品番号 Part No.	補助番号 Ckt No.	名称 Name	1台分 個数 Qty Per Unit	部組品番号 Assembly	参照 図番 Fig. No.	販売区分 Class. of Salabil- ity	備考 Remarks	要求単位 Order Unit Qty
1K150-093	173	パノラマレバー軸	1		2 B1	○	RP-9454 製技94F-1031参照	5
1K150-093-1		Shaft , Panorama lever						
1K165-225	608	滑りシート (前部レンズ) Plastik sheet ( front lens unit)	1		4 D3	○		5
1K165-226	705	圧接ゴム Rubber . Press contact	1		6 A1	○		5
1K201-108	411	コマンドダイヤル Command dial	1		8 A1	○		5
1K206-106	181	パノラマ操作ノブ Knob , Adjust panorama	1		8 A1	○		5
1K206-107	402	セレクトダイヤル Select dial	1		8 A1	○		5
1K220-381	405	リリース鉤バネ Spring . Release button	1		8 A1	○		5
1K220-382	413	ボールバネ (411 用) Spring . Ball (For 411)	1		8 A3	○		5
1K220-383	452	DX バネ Spring . DX	6		4 A2	○		5
1K220-390	168	パノラマボールバネ Spring . Panorama ball	1		2 B1	○		5
1K225-243	151	鍵バネ Spring . Lock cover key	1		7 A2	○		5
1K225-251	164	引張りバネ Spring . Panorama lever	1		2 A1	○	RP-9454 製技94F-1031参照	5
1K230-398	643	遊星ねじりバネ Spring . Planetary gear	1		3 B2	○		5
1K233-086	664	バリヤ付勢バネ Spring . Lens cover	1		4 D1	○		5
1K240-909	134	パトローネ押さえ板 Retainer plate . Patorone	1		1 A2	○		5
1K240-910	190	PI押さえ板 Retainer plate . PI	1		1 A3	○		5
1K240-911	241	電池接片 (+側) Battery contact ( + )	1		1 B1	○		5
△ 1K240-912	242	電池接片 (-側) Battery contact ( - )	2		1 B2	○	RP-9565 RP-9413	5

Change page (差し替え) △×1

AUG. 5. 1995



部品表 Parts List

FCA22001-R. 3339. B

部品番号 Part No.	補助番号 Ckt No.	名称 Name	1台分 個数 Q'ty Per Unit	部組品番号 Assembly	参照 図番 Fig. No.	販売区分 Class. of Salabil- ity	備考 Remarks	要求単位 Order Unit Q'ty
IK240-915	406	リリースSW台 Switch plate . Release	1		8 A3	○		5
IK240-917	684	FOS SWバネ1 Switch-spring 1 . FOS	1		3 A2	○		5
IK240-918	685	FOS SWバネ2 Switch-spring 2 . FOS	1		3 A2	○		5
△ IK240-919	687	BOS SWバネ1	1		3 B1	○	RP-9454 製技94F-1021参照	5
IK240-919-2		Switch-spring 1 . BOS						
IK240-920	688	BOS SWバネ2 Switch-spring 2 . BOS	1		3 B1	○		5
IK260-660	186	デートローラー軸 Shaft . Data roller	1		1 A2	○		5
IK260-661	187	Dギヤ D gear	1		1 A2	○		5
IK260-662	215	スプール Spool	1		1 B2	○		1
IK260-668	646	Iギヤ2 (羽根車) I gear 2	1		3 B3	○		5
IK260-671	671	バリヤ開閉レバー Lens cover . O/C-lever	1		4 B1	○		5
IK260-673	675	Bギヤ5 B gear 5	1		4 B1	○		5
IK260-674	676	Bギヤ6 B gear 6	1		4 B1	○		5
IK277-160	634	Lギヤ4-5 L gear 4-5	1		3 B3	○		5
IK277-161	636	Lギヤ7-8 L gear 7-8	1		3 B3	○		5
IK277-163	673	Bギヤ1-2 B gear 1-2	1		4 B1	○		5
IK277-164	674	Bギヤ3-4 B gear 3-4	1		4 B1	○		5
IK360-061	146	蝶番軸 Shaft . Hinge	1		7 D1	○		5

Change page (差し替え) △×1



OCT. 11. 1994



部品表 Parts List

FCA22001-R. 3339. B

部品番号 Part No.	補助番号 Ckt No.	名称 Name	1台分 個数 Q'ty Per Unit	部組品番号 Assembly	参照 図番 Fig. No.	販売区分 Class. of Salabil- ity	備考 Remarks	要求単位 Order Unit Q'ty
1K360-063	197	ストラップ軸 Shaft . Strap	1		7 C3	○		5
1K371-793	180	圧入ピン Pin . Slide plate	2		2 A1	○		5
1K371-798	401	リリースボタン Release button	1		8 A1	○		5
1K437-206	619	直進キー 2 Linear key 2	1		4 A1	○		1
OLD NEW	101	前カバー Front cover	1		9 B3	○	RP-9454 外観色変更 Change visual color	1
1K601-258-1								
1K601-262	176	パノラマレバー Lever . Panorama	1		2 B1	○		5
1K601-263	188	D押さえ板 Retainer plate . D	1		1 A2	○		5
1K601-265	408	クリック板 (S) Click plate (S)	1		8 A2	○		5
1K601-266	414	クリック板 (C) Click plate (C)	1		8 A2	○		5
1K601-267	418	コマンドダイヤル板 Command dial plate	1		8 A1	○		5
1K601-268	522	採光窓 Lighting window	1		8 B1	○		5
1K601-270	686	FOS絶縁板 Insulation plate . FOS	1		3 A2	○		5
1K601-271	689	BOS絶縁板 Insulation plate . BOS	1		3 B1	○		5
1K601-272	721	絶縁シート Insulation sheet	1		6 B3	○		5
1K601-294	704	圧接板C (針) Press contact plate C	1		7 C2	○		5
△	202	ギア-押さえ板 Plate . Holding down gear	1		6 A3	○	RP-9565 RP-9557 RP-9413	5
1K611-889	107	前カバー当て板 Front cover plate	1		7 D3	○		1

Change page (差し替え) △×1

AUG. 5. 1995



部品表 Parts List

FCA22001-R. 3339. B

部品番号 Part No.	補助番号 Ckt No.	名称 Name	1台分 個数 Qty Per Unit	部組品番号 Assembly	参照 図番 Fig. No.	販売区分 Class. of Salabil- ity	備考 Remarks	要求単位 Order Unit Qty
1K611-894	136	裏蓋蝶番 Hinge . Camera back	1		7 D2	○		1
OLD NEW 1K611-897 1K611-897-2	145	横カバー Side cover	1		7 D2	○	RP-9454 外觀色変更 Change visual color	1
1K611-902	182	ノブ押さえ板 Retainer knob plate	1		8 B2	○		5
1K611-903	426	ファンクションSW裏打ち板 Line plate . Function switch	1		8 B3	○		5
1K611-911	620	FPC押さえ Retainer . FPC	1		4 A1	○		5
1K611-912	621	FPC ガイド板 Guide plate . FPC	1		4 A1	○		5
1K611-913	622	FPC押さえ Retainer . FPC	1		4 B3	○		5
1K611-915	652	ギヤヘリ押さえ Retainer gear edge	1		4 C1	○		5
1K611-916	701	圧接板A (B2001) Press contact plate A	3		6 A1	○		5
1K611-917	703	圧接板B (LCD) Press contact plate B	1		6 A2	○		5
1K611-918	711	DX FPC押さえ (#1005) Retainer FPC . DX	1		5 B3	○		5
1K611-974-1	163	バネ掛け板 Plate . Spring hook	1		2 A1	○	RP-9454 製技94F-1031参照	5
△ 1K611-975-2	174	パノラマ板バネ Plate spring . Panorama	1		2 B2	○	RP-9565 RP-9557 RP-9454 製技94F-1031参照	5
1K620-171	451	DX 接片 DX Contact	6		4 A2	○		5
1K625-135	126	パトローネ窓 Window . Patorone	1	1B998-160	7 B2	○△		5
1K641-260	109	飾りリング Decoration ring	1		9 B3	○		5
1K641-261	185	デートローラー Roller . Date	1		1 A1	○		5

Change page (差し替え) △×1

AUG. 5. 1995



部品表 Parts List

FCA22001-R. 3339. B

部品番号 Part No.	補助番号 Ckt No.	名称 Name	1台分 個数 Qty Per Unit	部組品番号 Assembly	参照 図番 Fig. No.	販売区分 Class. of Salabil- ity	備考 Remarks	要求単位 Order Unit Qty	
1K641-262	615	前環 Front ring	1		4 D3	○		5	
1K681-407		巻戻しフォーク Rewind fork	1		1 A3	○△	RP-9522 サ技No. 95-05	5	
1K681-629	106	三脚ねじ Tripod screw	1		5 A3	○		5	
1K681-636	301	プロテクター Diffusor	1		8 B1	○		5	
1K681-637	403	取付けブロック Installation block	1		8 A2	○		5	
1K681-638	421	ファンクション鈕 Function button	3		8 B2	○		5	
1K681-639	435	S B鈕 SB-button	2		6 B3	○		5	
1K681-640	438	S B鈕ブロック Block . SB-button	1		6 B3	○		5	
1K681-642	445	D B鈕 Button . DB	2		7 C2	○		5	
1K681-643	448	保持モールド Mold	1		7 C2	○		5	
1K681-644	455	DX 押さえ Retainer plate . DX	1		4 A2	○		5	
1K681-652	613	後飾り Rear decoration	1		4 B3	○		1	
1K681-653	631	ギヤ台 Plate . Gear	1		3 A3	○		1	
1K681-654	641	系止レバー Stopper lever	1		3 B2	○		5	
△	1K681-728	116	パトローネ規制モールド Mold . Controlling patorone	1	18998-160	7 B2	○△	RP-9565 RP-9557 RP-9413	5
OLD	1K999-127	104	底カバー	1		7	○	No. 5001001~ RP-9454 外観色変更 Change visual color	1
NEW	1K999-127-1		Bottom cover						
△	1K999-148		シャッターバクツキ防止テープ Tape . Shutter	1	18999-754	4 D3	○	RP-9565 RP-9454 RP-9485 RP-9413 廃止部品の復活	1 0
△	1K999-149		シャッターバクツキ防止テープ Tape . Shutter	1	18999-754	4 D3	○△	RP-9565 RP-9485 RP-9413 製技94F-1034参照	1 0

Change page (差し替え) △×3

AUG. 5. 1995



部品表 Parts List

FCA22001-R. 3339. B

部品番号 Part No.	補助番号 Ckt No.	名称 Name	1台分 個数 Qty Per Unit	部組品番号 Assembly	参照 図番 Fig. No.	販売区分 Class. of Salabil- ity	備考 Remarks	要求単位 Order Unit Qty
△ 1K999-191		バリアストッパーゴム Stopper rubber	1		4 C1	○	RP-9604	5
△ 1K999-192		バリアストッパー止めビス Stopper screw	1		4 C1	○	RP-9604	5
1S190-028	1021	メイン CPU Main CPU	1	1S020-105	6 A3	○△		5
1S190-029	1022	表示 CPU Pilot CPU	1	1S020-105	6 A3	○△		5
1S223-007	1023	MD IC MD IC	1	1S020-105	6 A3	○△		5
1S424-036	1015	PTS SW Switch . PTS	1	1S020-105	6 A3	○△		5
1S700-365	410	信号板 (S) Signal plate (S)	1		8 A3	○		5
1S700-366	415	信号板 (C) Signal plate (C)	1		8 A2	○		5
1S705-271	1005	DX FPC DX FPC	1		4 B2	○		5
1S758-043	425	ファンクションラバーSW Rubber switch . Function	1		8 B3	○		5
1S758-044	439	SB ラバーSW Rubber switch . SB	1		4 B3	○		5
1S758-045	449	DB ラバーSW Rubber Switch . DB	1		7 C2	○		5
1S768-001	715	M. U SW Switch . M.U	1		7 B3	○		5
QF09C124XK		抵抗内蔵トランジスター(DTC124XK) Resistor in Transistor	1		6 B3	○	RP-9485 サ積94-16 改造用部品	1

Change page (差し替え) △×2

FEB. 01. 1996



部品表 Parts List

FCA22001-R. 3339. B

部品番号 Part No.	補助番号 Ckt No.	名称 Name	1台分 個数 Q'ty Per Unit	部組品番号 Assembly	参照 図番 Fig. No.	販売区分 Class. of Salabil- ity	備考 Remarks	要求単位 Order Unit Q'ty
△ AI-17025FA	—	Screw	—		8 B3	○	RP-9565 RP-9413 94F-2008	1 0
G1-14025FD	832	Screw	2		8 A3	○		1 0
G1-14030FD	831	Screw	1		1 A2	○		1 0
G1-17035FA	822	Screw	1		7 C1	○		1 0
G1-17045FA	821	Screw	2		7 D3	○		1 0
△ G1-20025FD	—	Screw	—		7 A2	○	RP-9565 RP-9413 94F-2004	1 0
△ G1-20030FD	—	Screw	—		6 A2 A3	○	RP-9565 RP-9413 94F-2004	1 0
G2-14030FS	839	Screw	1		2 A1	○		1 0
G2-17030FD	837	Screw	2		7 C3	○		1 0
G2-17035FA	836	Screw	4		7 B3	○		1 0
G2-17040FA	835	Screw	2		7 D1	○		1 0
G2-17050FD	834	Screw	1		7 C1	○		1 0
R1-02000FY	855	LCD止め座金 Washer . Install LCD	1		6 B1	○		1 0
S1-01200SX	857	Eリング (401) E ring	1		8 A1	○		1 0
T1-01500SX1 (T1-01500SX)	858	ボール Ball	2		2 B1	○		1 0

Change page (差し替え) △×3

AUG. 5.1995



部品表 Parts List

FCA22001-R. 3339. B

部品番号 Part No.	補助番号 Ckt No.	名 称 Name	1台分 個 数 Q'ty Per Unit	部組品番号 Assembly	参照 図番 Fig. No	販売区分 Class. of Salabil- ity	備 考 Remarks	要求単位 Order Unit Q'ty
△ IG118-011	G14	接眼レンズ Eyepiece lense	1	18999-623	5 A1	○△	RP-9514	1



部組品表 Assembly List

FCA22001-R. 3339. B

OLD  
△  
NEW  
△

部組番号 Part No.	補助番号 Ckt No.	名称 Name	1台分 個数 Qty Per Unit	大部組品番号 Main assembly No.	参照 図番 Fig. No.	備考 Remarks	要求単位 Order Unit Qty
1B002-078	B105	SW 部組 Switch unit	1		6 B3		1
1B002-079	B130	裏蓋 SW部組 Back door Switch unit	1		6 B2		1
1B002-087	B102	上カバー1 部組	1		8 B1	RP-9454 外観色変更 Change visual color	1
1B002-087-2		Upper cover unit 1					
1B060-552	B604	シャッター部組	1		4 D3	RP-9454 製技94F-1034参照	1
1B999-754		Shutter unit					
1B060-554	B428	針モジュール部組 Needle module unit	1		8 B3		1
1B240-107	B404	ブラシS部組 Brush S unit	1		8 A3		1
1B240-108	B416	ブラシC部組 Brush C unit	1		8 A3		1
1B260-104	B672	バリア開閉ギヤ部組 Lens cover , O/C-gear unit	1		4 B1		1
1B535-172	B602	ヘリコイド部組 Helicoid unit	1		4 C3		1
1B570-108	B663	バリア部組 Lens cover unit	1		4 D2		1
1B610-128	B149	裏蓋カギ部組 Lock key unit , Back door	1		7 A2		1
*1B998-084	B234	巻き戻しフォーク部組 Rewind fork unit	1		1 A3	FCA13001	1
1B998-143	B1032	PI 1部組 PI unit 1	1		1 A2		1
1B998-144	B2201	巻き上げギヤユニット2部組 Winding gear unit 2	1		1 B2		1
1B998-145	B204	巻き戻し基板部組 Rewind base plate unit	1		1 A3		1
1B998-146	B156	パノラマ部組 Panoram unit	1		2 B2		1

Change page (差し替え) △×2



OCT. 11. 1994

部組品表 Assembly List

FCA22001-R. 3339. B

部組番号 Part No.	補助番号 Ckt No.	名称 Name	1台分 個数 Qty Per Unit	大部組品番号 Main assembly No.	参照 図番 Fig. No.	備考 Remarks	要求単位 Order Unit Qty
18998-147	B175	デート遮光板部組 Light baffle plate unit	1		2 A2		1
OLD NEW 18998-148 18998-148-1	B179	スライド板部組 Slide plate unit	1		2 A1	RP-9454 製技94F-1031参照	1
18998-149	B162	P SW基板部組 P switch base plate unit	1		2 B2		1
18998-150-1 (18998-150)	B2004	LED FPC FPC , LED	1		6 B1	RP-9565 RP-8413	1
18998-151	B511	LCD LCD	1		6 B1		1
18998-153	B150	開閉ノブ部組 Lock knob unit , Camera back	1		7 A3		1
18998-157	B1006	ダイヤルFPC部組 Dial FPC unit	1		8 A3		1
OLD NEW 18998-160 18998-160-2	B115	裏蓋1部組 Camera back unit 1	1		7 B1	RP-9454 外観色変更 Change visual color	1
18998-161	B117	圧板部組 Pressure plate unit	1		7 B2		1
18998-163-1 (18998-163)	B113	電池蓋部組 Battery chamber lid unit	1		9 B2	RP-9565 RP-9406	1
18998-164	B246	本体ローラー部組 Main frame roller unit	1		9 A1		1
△ 18998-165	B518	接眼枠部組 Eyepiece frame unit	1		9 A1	RP-0018	1
18998-166	B640	遊星ギア部組 Planetary gear unit	1		3 B3		1
18998-167	B649	ギア部組 Gear unit	1		3 B3		1

CHANGE PAGE(差し替え)△×1

OCT 31, 2000



部組品表 Assembly List

FCA22001-R. 3339. B

OLD  
△  
NEW

部組番号 Part No.	補助番号 Ckt No.	名称 Name	1台分 個数 Q'ty Per Unit	大部組品番号 Main assembly No.	参照 図番 Fig. No.	備考 Remarks	要求単位 Order Unit Q'ty
1B998-168	B1011	Lモーター部組 L Motor unit	1		3 A3		1
1B998-169	B2032	PI 2部組 PI unit 2	1		3 A3		1
1B998-171	B1013	赤目ランプ Lamp . Prevent Red eye	1	1B998-173	3 A1		1
1B998-173	B2531	AFブロック2部組	1		3	RP-9565 RP-9482 RP-9454 サ技94-23 参照	1
1B998-173-1		AF Block unit 2			A1		
1B998-174	B605	前群部組 Front lens unit	1		4 D3		1
1B998-178	B610	後群部組 Rear lens unit	1		4 B3		1
1B998-185	B440	PTS ノブ Knob unit . PTS	1		6 B2		1
1B999-623		ファインダー部組 Finder unit	1		5 A1		1
1B999-624		暗箱部組 Dark box unit	1		3 B2		1
△ 1B999-627-1 (1B999-627)		コインスロット部組 Coin slot unit	1	1B998-163-1	9 B2	RP-9565 RP-9406	1

Change page (差し替え) △×2

AUG. 5. 1995



部品表 Parts List

FCA22101-R. 3339. B

OLD  
△  
NEW

部品番号 Part No.	補助番号 Ckt No.	名称 Name	1台分 個数 Qty Per Unit	部組品番号 Assembly	参照 図番 Fig. No.	販売区分 Class. of Salabil- ity	備考 Remarks	要求単位 Order Unit Qty
1K999-128	104	底カバー	1		7	○	NO. USA 4001001~ RP-9454 外觀色変更 Change visual color	1
1K999-128-1		Bottom cover						

Change page (差し替え) △×1



OCT. 11. 1994